

# Guide to Sliding Glass Doors Installed with Polar Single Glazed - Types & Size Limits

SHEET 1 OF 3

**Notes:**

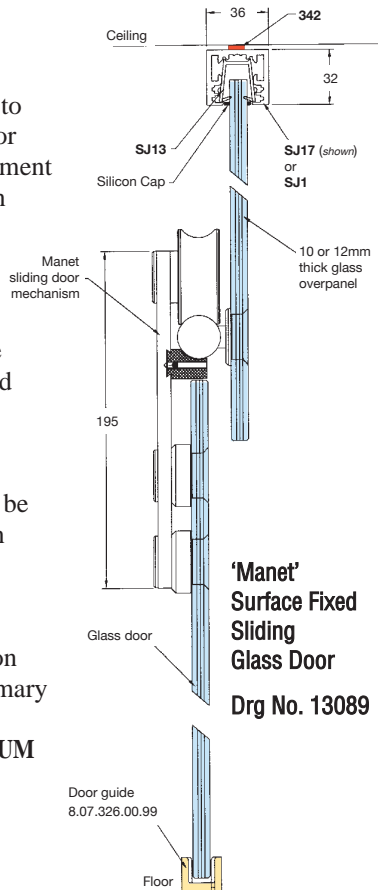
All glass must conform to British Standard 6206 for safety Impact and Document 'N' Building Regulation

The Partitioning structure opening for the sliding glass doorset must be capable of accepting the imposed loading.

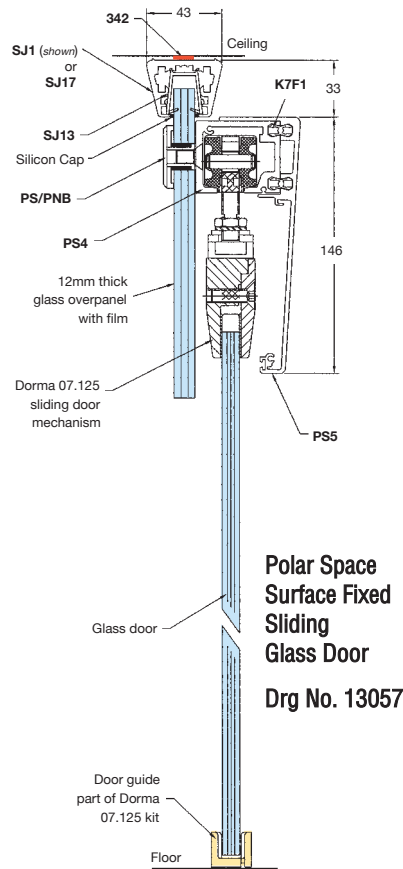
The weight of the ironmongery used must be taken into account when calculating the door weight.

To be read in conjunction with Sliding Door Summary of Performance  
**PO-SLIDE DOR PERF SUM**

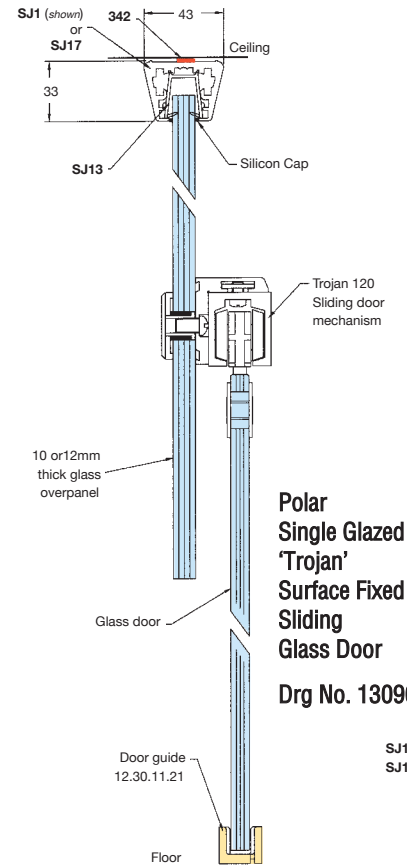
All dimensions are nominal and in mm



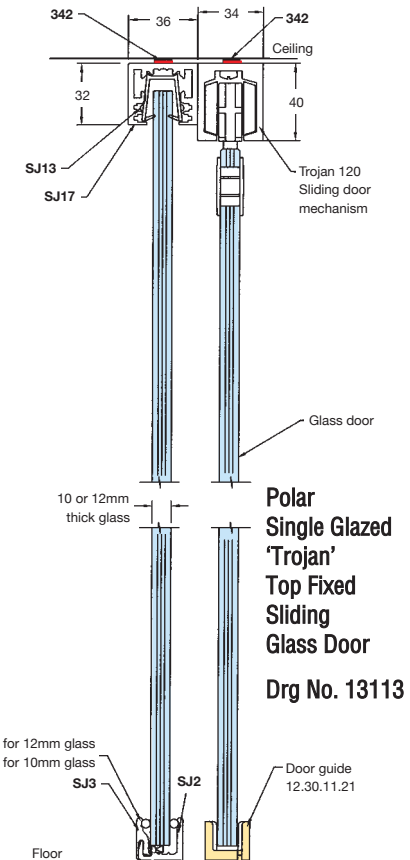
**'Manet' Surface Fixed Sliding Glass Door**  
Drg No. 13089



**Polar Space Surface Fixed Sliding Glass Door**  
Drg No. 13057



**Polar Single Glazed 'Trojan' Surface Fixed Sliding Glass Door**  
Drg No. 13090



**Polar Single Glazed 'Trojan' Top Fixed Sliding Glass Door**  
Drg No. 13113

Assembly Product Code	SD7S	SD7D
Door Type	Single	Double
Max. Partition Height (mm)	3000	3000
Max. Door Weight (kg)	100	2 x 100
Max. Door Height (mm)	2500	2500
Max. Door Width (mm)	1200	2 x 1200
Clear Opening (mm)	1050	2100
Door Thickness (mm)	12	12

Assembly Product Code	SD8S	SD8D
Door Type	Single	Double
Max. Partition Height (mm)	3000	3000
Max. Door Weight (kg)	95	2 x 95
Max. Door Height (mm)	2800	2800
Max. Door Width (mm)	1100	2 x 1100
Clear Opening (mm)	950	1900
Door Thickness (mm)	12	12

Assembly Product Code	SD9S	SD9D
Door Type	Single	Double
Max. Partition Height (mm)	3000	3000
Max. Door Weight (kg)	120	2 x 120
Max. Door Height (mm)	2800	2800
Max. Door Width (mm)	1200	2 x 1200
Clear Opening (mm)	1050	2100
Door Thickness (mm)	12	12

Assembly Product Code	SD10S	SD10D
Door Type	Single	Double
Max. Partition Height (mm)	3000	3000
Max. Door Weight (kg)	120	2 x 120
Max. Door Height (mm)	2946	2946
Max. Door Width (mm)	1200	2 x 1200
Clear Opening (mm)	1050	2100
Door Thickness (mm)	12	12

Assembly Product Code	SD10S	SD10D
Door Type	Single	Double
Max. Partition Height (mm)	3000	3000
Max. Door Weight (kg)	120	2 x 120
Max. Door Height (mm)	2946	2946
Max. Door Width (mm)	1200	2 x 1200
Clear Opening (mm)	1050	2100
Door Thickness (mm)	12	12

# Guide to Sliding Glass Doors Installed with Polar Single Glazed & Solid - Types & Size Limits

SHEET 2 OF 3



**Notes:**

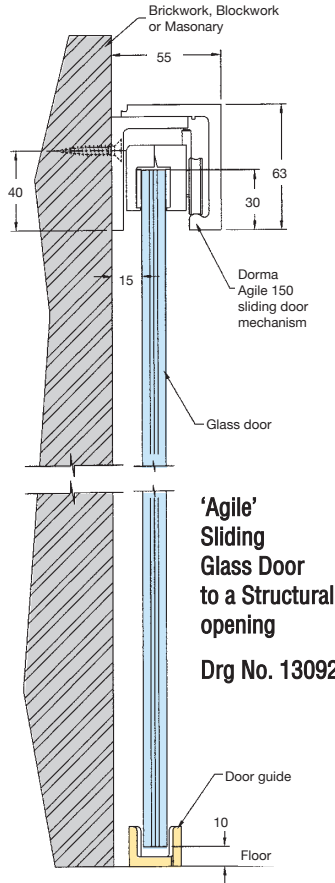
All glass must conform to British Standard 6206 for safety Impact and Document 'N' Building Regulation

The Partitioning structure opening for the sliding glass doorset must be capable of accepting the imposed loading.

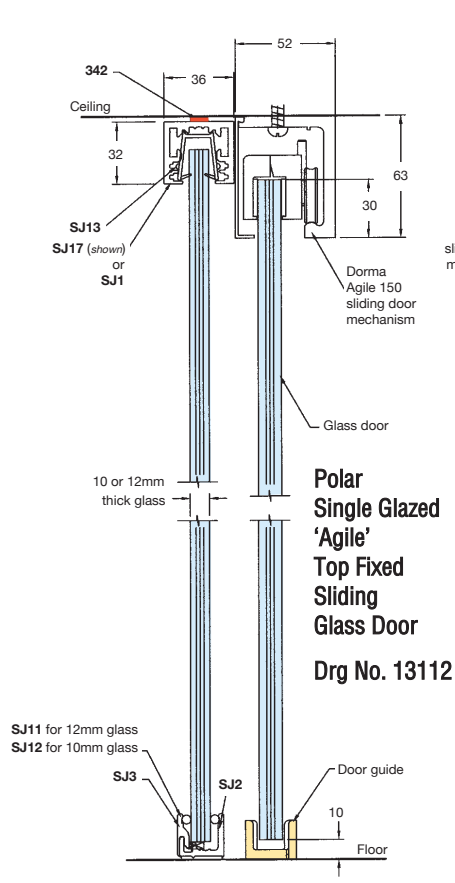
The weight of the ironmongery used must be taken into account when calculating the door weight.

To be read in conjunction with Sliding Door Summary of Performance  
**PO-SLIDE DOR PERF SUM**

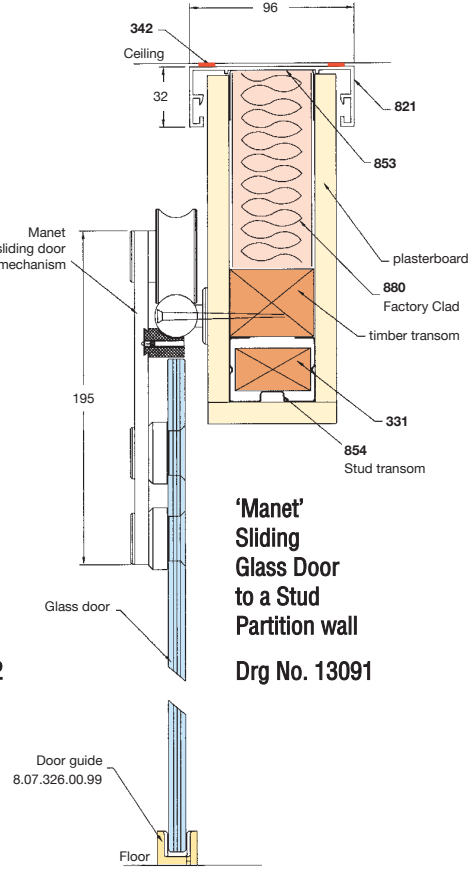
All dimensions are nominal and in mm



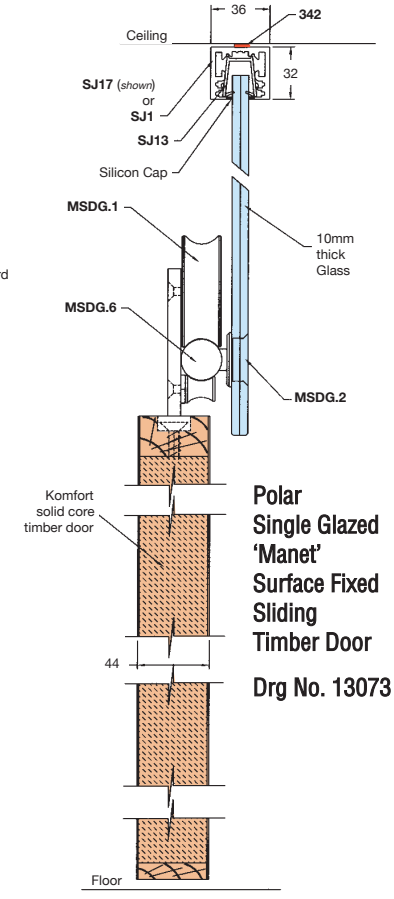
**'Agile' Sliding Glass Door to a Structural opening**  
Drg No. 13092



**Polar Single Glazed 'Agile' Top Fixed Sliding Glass Door**  
Drg No. 13112



**'Manet' Sliding Glass Door to a Stud Partition wall**  
Drg No. 13091



**Polar Single Glazed 'Manet' Surface Fixed Sliding Timber Door**  
Drg No. 13073

Assembly Product Code	<b>SD11S</b>	<b>SD11D</b>
Door Type	<i>Single</i>	<i>Double</i>
Max. Partition Height (mm)	3000	3000
Max. Door Weight (kg)	150	2 x 150
Max. Door Height (mm)	2800	2800
Max. Door Width (mm)	1200	2 x 1200
Clear Opening (mm)	1050	2100
Door Thickness (mm)	12	12

Assembly Product Code	<b>SD12S</b>	<b>SD12D</b>
Door Type	<i>Single</i>	<i>Double</i>
Max. Partition Height (mm)	3000	3000
Max. Door Weight (kg)	150	2 x 150
Max. Door Height (mm)	2957	2957
Max. Door Width (mm)	1200	2 x 1200
Clear Opening (mm)	1050	2100
Door Thickness (mm)	12	12

Assembly Product Code	<b>SD13S</b>	<b>SD13D</b>
Door Type	<i>Single</i>	<i>Double</i>
Max. Partition Height (mm)	3000	3000
Max. Door Weight (kg)	95	2 x 95
Max. Door Height (mm)	2500	2500
Max. Door Width (mm)	1200	2 x 1200
Clear Opening (mm)	1050	2100
Door Thickness (mm)	12	12

Assembly Product Code	<b>SD14S</b>	<b>SD14D</b>
Door Type	<i>Single</i>	<i>Double</i>
Max. Partition Height (mm)	3000	3000
Max. Door Weight (kg)	100	not available
Max. Door Height (mm)	2100	available
Max. Door Width (mm)	1000	available
Clear Opening (mm)	1050	available
Door Thickness (mm)	44	

Assembly Product Code	<b>SD14S</b>	<b>SD14D</b>
Door Type	<i>Single</i>	<i>Double</i>
Max. Partition Height (mm)	3000	3000
Max. Door Weight (kg)	100	not available
Max. Door Height (mm)	2100	available
Max. Door Width (mm)	1000	available
Clear Opening (mm)	1050	available
Door Thickness (mm)	44	

# Guide to Sliding Glass Doors Installed with Polar Double Glazed - Types & Size Limits

SHEET 3 OF 3

## Notes:

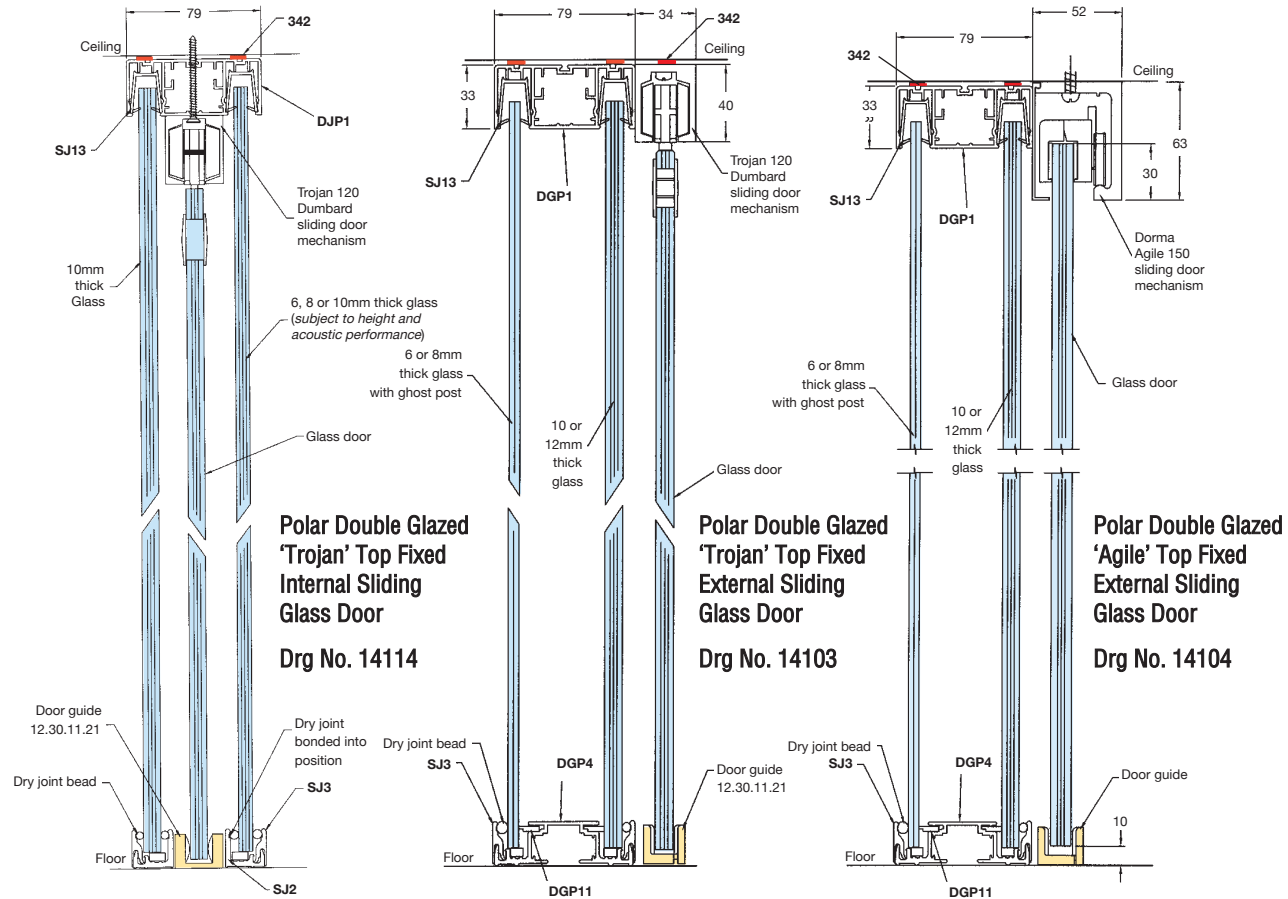
All glass must conform to British Standard 6206 for safety Impact and Document 'N' Building Regulation

The Partitioning structure opening for the sliding glass doorset must be capable of accepting the imposed loading.

The weight of the ironmongery used must be taken into account when calculating the door weight.

To be read in conjunction with Sliding Door Summary of Performance  
**PO-SLIDE DOR PERF SUM**

All dimensions are nominal and in mm



## Part M Access to use of buildings (for England and wales)

The effective clear opening through a single door, or one leaf of a double leaf Polar frameless sliding glass internal doorset installed in either a fully glazed screen or in a solid stud partitioning wall or structural opening must be in accordance with Approved Document M of the Building Regulations.

Glass doorsets and fully glazed screens must be clearly defined with manifestation on the glass that contrasts visually with the background seen through the glass (both from inside and outside) in all lighting conditions.

### Additional Guidance Information

GuidanceNote M13:  
Glazed screens manifestation

GuidanceNote M34b:  
Sliding glass door clear opening sizes

Assembly Product Code	DGSD1S	DGSD1D
Door Type	Single	Double
Max. Partition Height (mm)	2700	2700
Max. Door Weight (kg)	75	2 x 75
Max. Door Height (mm)	2590	2590
Max. Door Width (mm)	1100	2 x 1100
Clear Opening (mm)	950	1900
Door Thickness (mm)	12	12

Assembly Product Code	DGSD2S	DGSD2D
Door Type	Single	Double
Max. Partition Height (mm)	3000	3000
Max. Door Weight (kg)	150	2 x 150
Max. Door Height (mm)	2946	2946
Max. Door Width (mm)	1200	2 x 1200
Clear Opening (mm)	1050	2100
Door Thickness (mm)	12	12

Assembly Product Code	DGSD3S	DGSD3D
Door Type	Single	Double
Max. Partition Height (mm)	3000	3000
Max. Door Weight (kg)	150	2 x 150
Max. Door Height (mm)	2957	2957
Max. Door Width (mm)	1200	2 x 1200
Clear Opening (mm)	1050	2100
Door Thickness (mm)	12	12