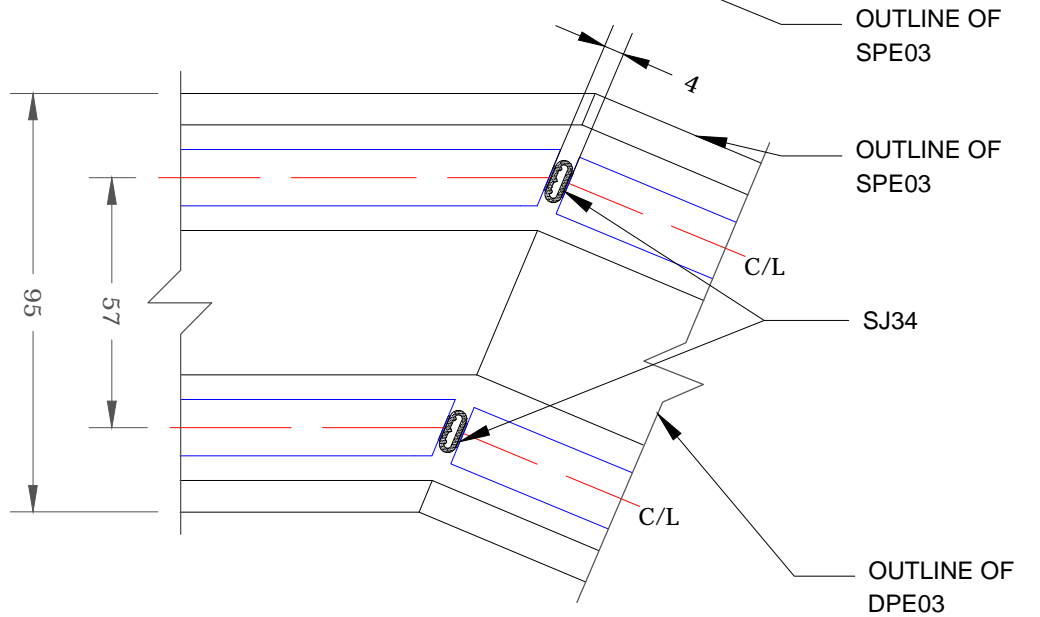
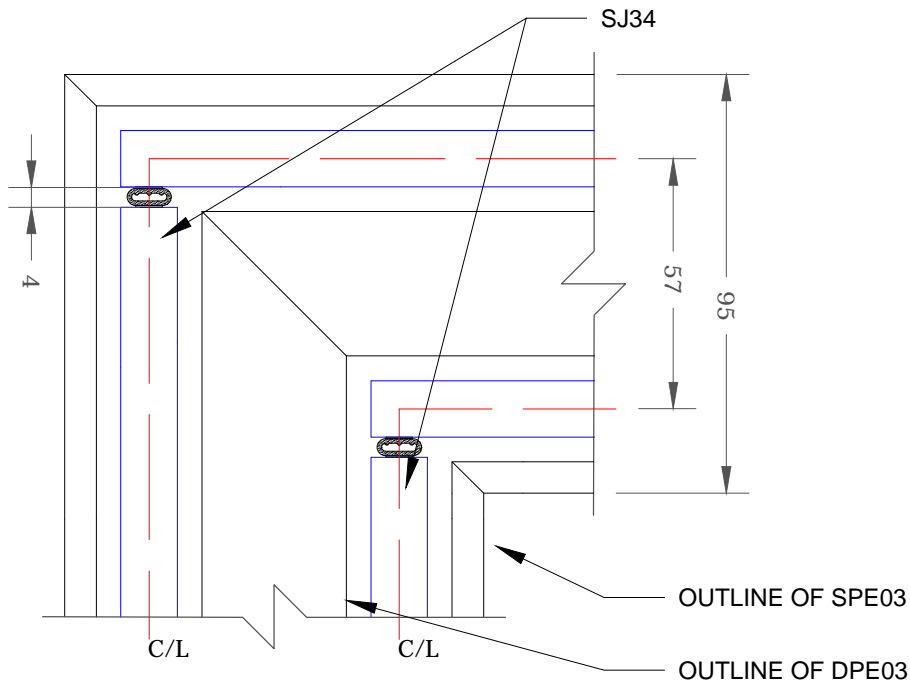
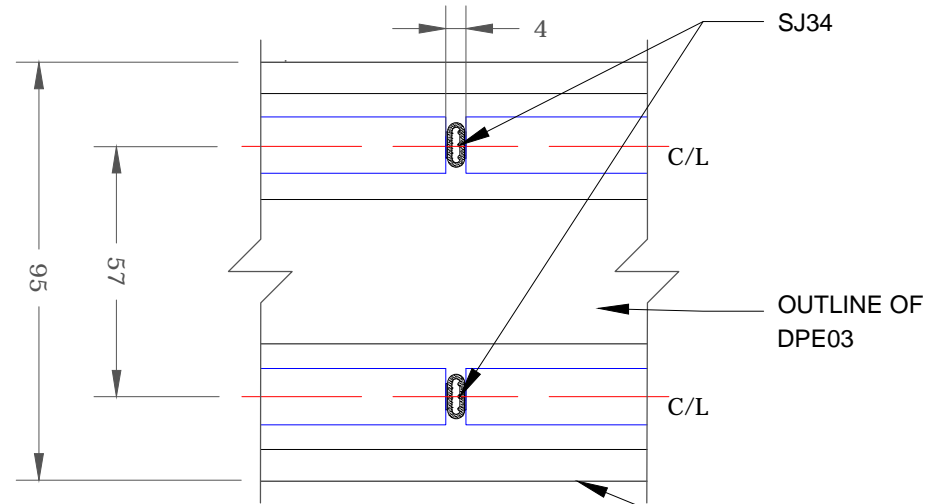
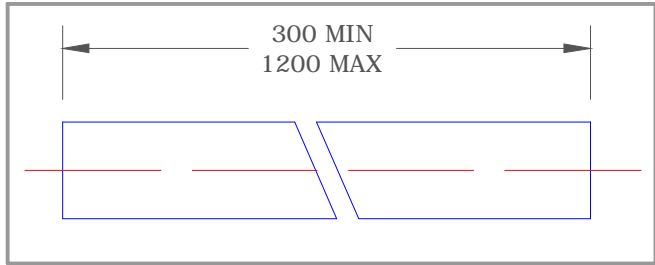


MODULE WIDTH



ALL DIMENSIONS ARE NOMINAL & IN mm



SYSTEM:  
**POLAR EVOLVE**

ASHURST, BROADLANDS BUSINESS CAMPUS,  
LANGHURST WOOD ROAD, HORSHAM,  
WEST SUSSEX, RH12-4QP  
www.komfort.com

JUNCTION CATEGORY:  
**LAYOUT JUNCTION**

JUNCTION DESCRIPTION:  
**BUBBLE JOINT DG LAYOUT JUNCTIONS,  
FOR STRIAIGHT/90 DEG/135 DEG.**

DRAWING NO:  
**PE\_DG\_LJ\_02**

KEY COMPONENTS:  
**N/A**

SCALE:  
**NTS**

DATE:  
**20/05/16**

ISSUE NO:

**1**