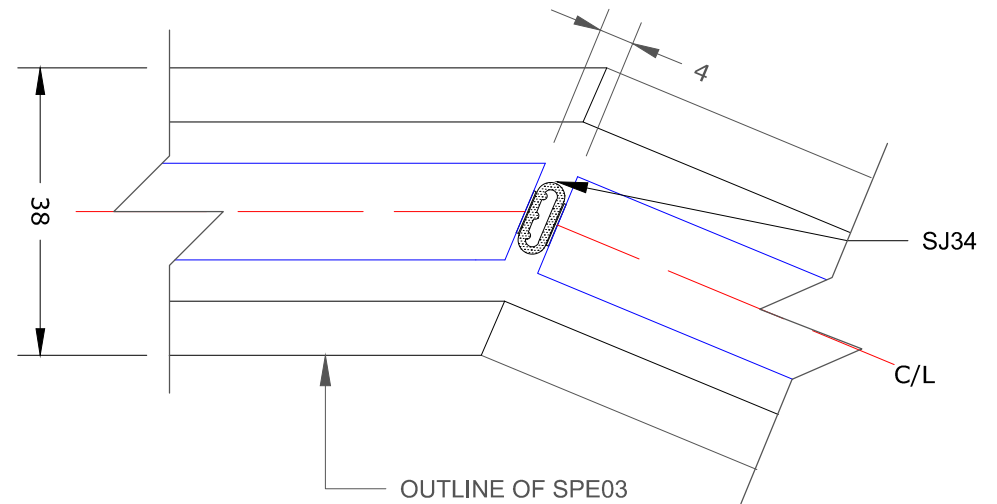
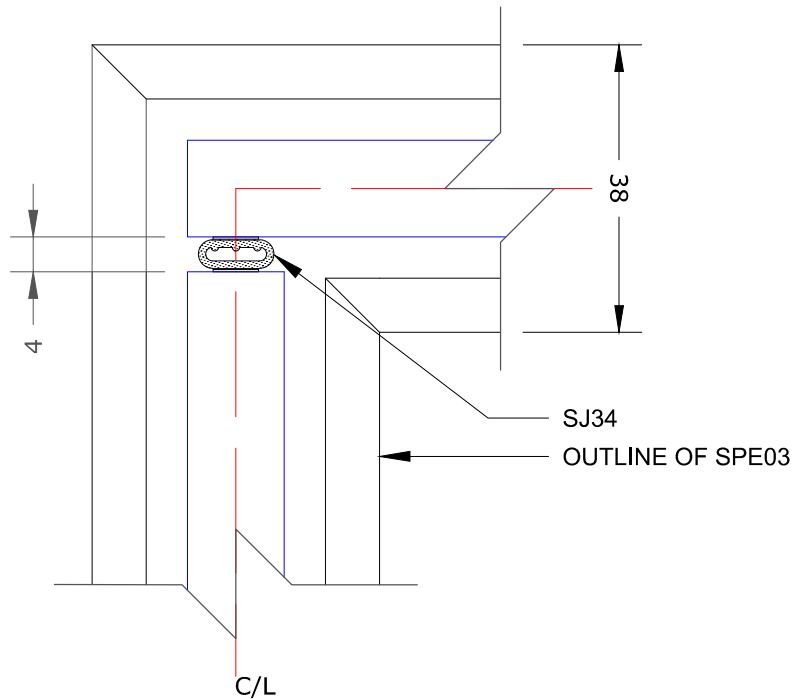
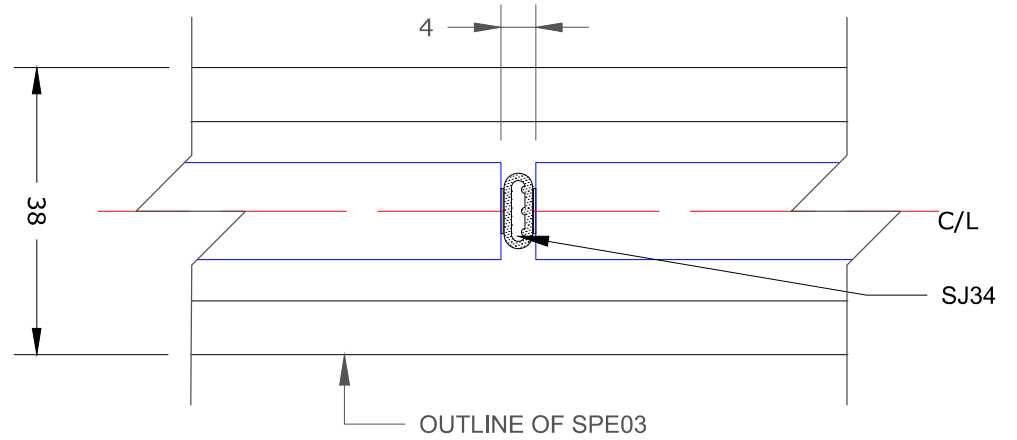
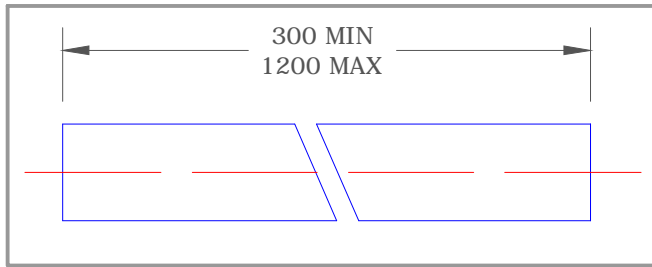


MODULE WIDTH



ALL DIMENSIONS ARE NOMINAL & IN mm



SYSTEM:
POLAR EVOLVE

ASHURST, BROADLANDS BUSINESS CAMPUS,
LANGHURST WOOD ROAD, HORSHAM,
WEST SUSSEX, RH12-4QP
www.komfort.com

JUNCTION CATEGORY:
LAYOUT JUNCTION

JUNCTION DESCRIPTION:
**BUBBLE JOINT SG LAYOUT JUNCTIONS.
FOR STRAIGHT/90 DEG/135 DEG.**

DRAWING NO:
PE_SG_LJ_02

KEY COMPONENTS:
SJ34

SCALE:
NTS

DATE:
20/05/16

ISSUE NO:

1