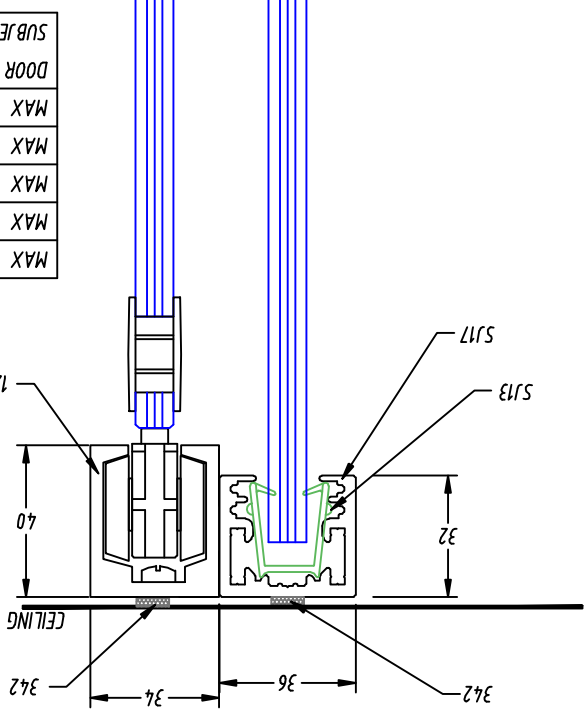


ALL DIMENSIONS ARE NOMINAL & IN mm  
 & DOCUMENT N° BUILDING REGULATIONS.  
 ALL GLASS MUST CONFORM TO  
 BS 6206 FOR SAFETY IMPACT  
 WITH DOCUMENT N° BUILDING REGULATIONS  
 FLOOR LEVEL MUST BE INSTALLED IN ACCORDANCE  
 MANIFESTATION TO GLASS FROM THE FINISHED



SINGLE	DOUBLE
3000	3000
MAX PARTITION HEIGHT (mm)	
120	120
2 x 120	2 x 120
MAX DOOR WEIGHT (kg)	
2946	2946
MAX DOOR HEIGHT (mm)	
1200	1200
2 x 1200	2 x 1200
MAX PARTITION WIDTH (mm)	
1050	2100
MAX CLEAR OPENING (mm)	
12	
DOOR THICKNESS (mm)	

SUBJECT TO HEIGHT & IRONMONGERY



© COPYRIGHT & DESIGN 2007 PROPERTY OF  
 KOMFORT WORKSPACE Plc  
 WHITTLE WAY, CRAWLEY, WEST SUSSEX, RH10 9RT  
 TEL : 01293 592500 WEB www.komfort.com  
 DO NOT SCALE IF IN DOUBT ASK

DATE	04.02.08	TITLE	SINGLE GLAZED POLAR
DRAWN	SSG	SLIDING GLASS DOOR TO STRUCTURAL	
DESCRIPTION OF CHANGE		OPENING TOP FIX TROJAN 120	
ISSUE			
MATERIAL :	CHKD	DRAWING No	13113
FINISH :	NTS		
			ISSUE
			1