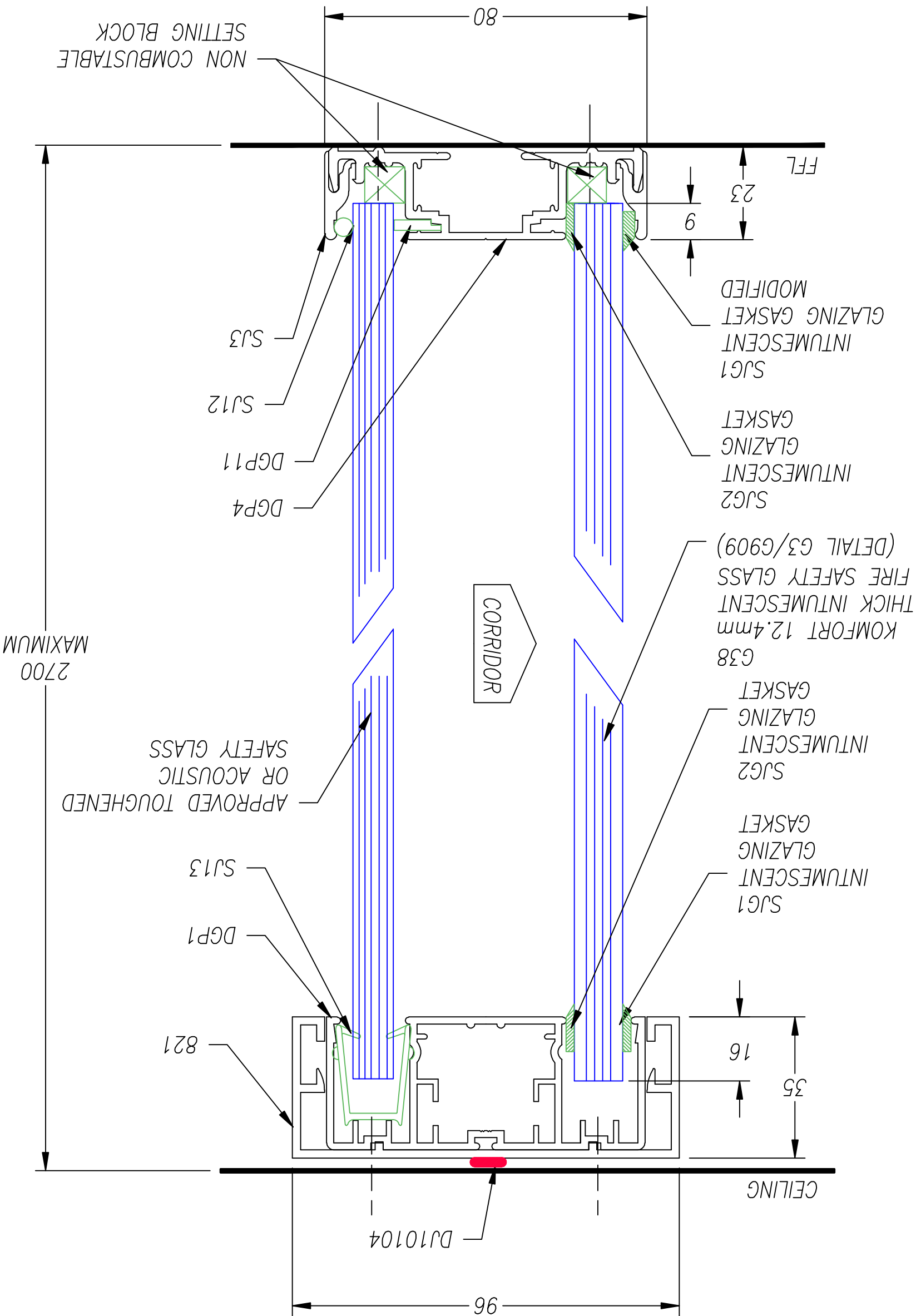


ALL DIMENSIONS ARE NOMINAL & IN mm

ALL GLASS MUST CONFORM AS REQUIRED TO BS 476:PART 22 BS 6262, BS 6206 & DOCUMENT 'N', BUILDING REGULATIONS

DRAWING MUST BE READ IN CONJUNCTION WITH SUMMARY OF PERFORMANCE DOCUMENT P0/F4 AND DATA SHEETS P02 GLA/INST.1 P02 GLA/INST.3

FOR FIRE PERFORMANCE



ISSUE	DESCRIPTION OF CHANGE	DATE	04:06:07	TITLE	DOUBLE GLAZED POLAR DRY JOINTED 30 min FIRE PERFORMANCE VERTICAL DETAIL
MATERIAL :		DRAWN	SSG	DRAWING No	14081
FINISH :		CHKD	NTS	ISSUE	3
		SCALE			