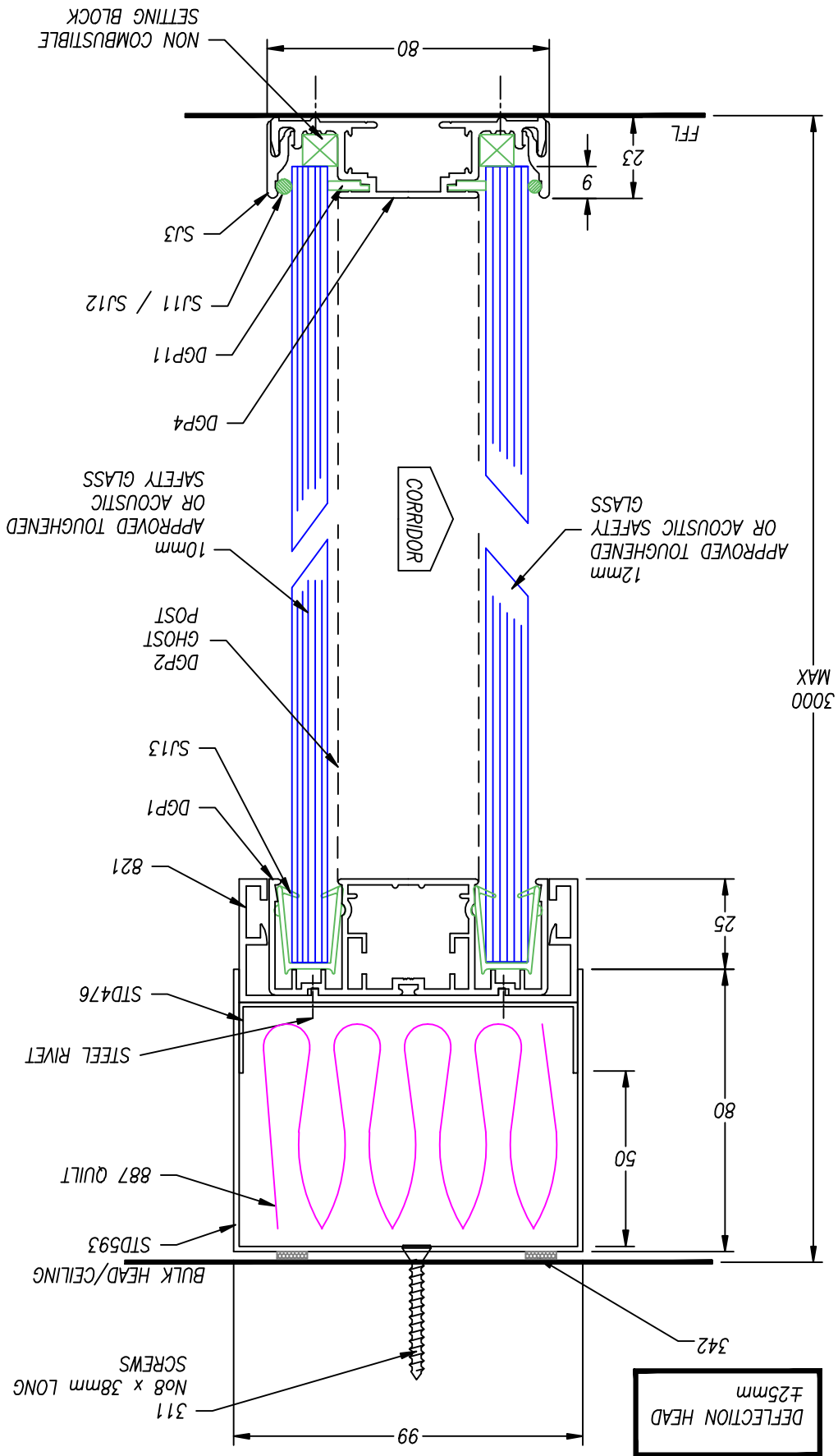


ALL DIMENSIONS ARE NOMINAL & IN mm

ALL GLASS MUST CONFORM TO BS 6262, BS6206 & DOCUMENT 'N' BUILDING REGULATIONS



ISSUE	DESCRIPTION OF CHANGE	DATE	TITLE
MATERIAL :		16:11:09	POLAR DOUBLE GLAZED
FINISH :		SSG	DEFLECTION HEAD & GHOST POST
		CHKD	VERTICAL DETAIL
		SCALE	DRAWING No
		NTS	14126
			ISSUE
			1