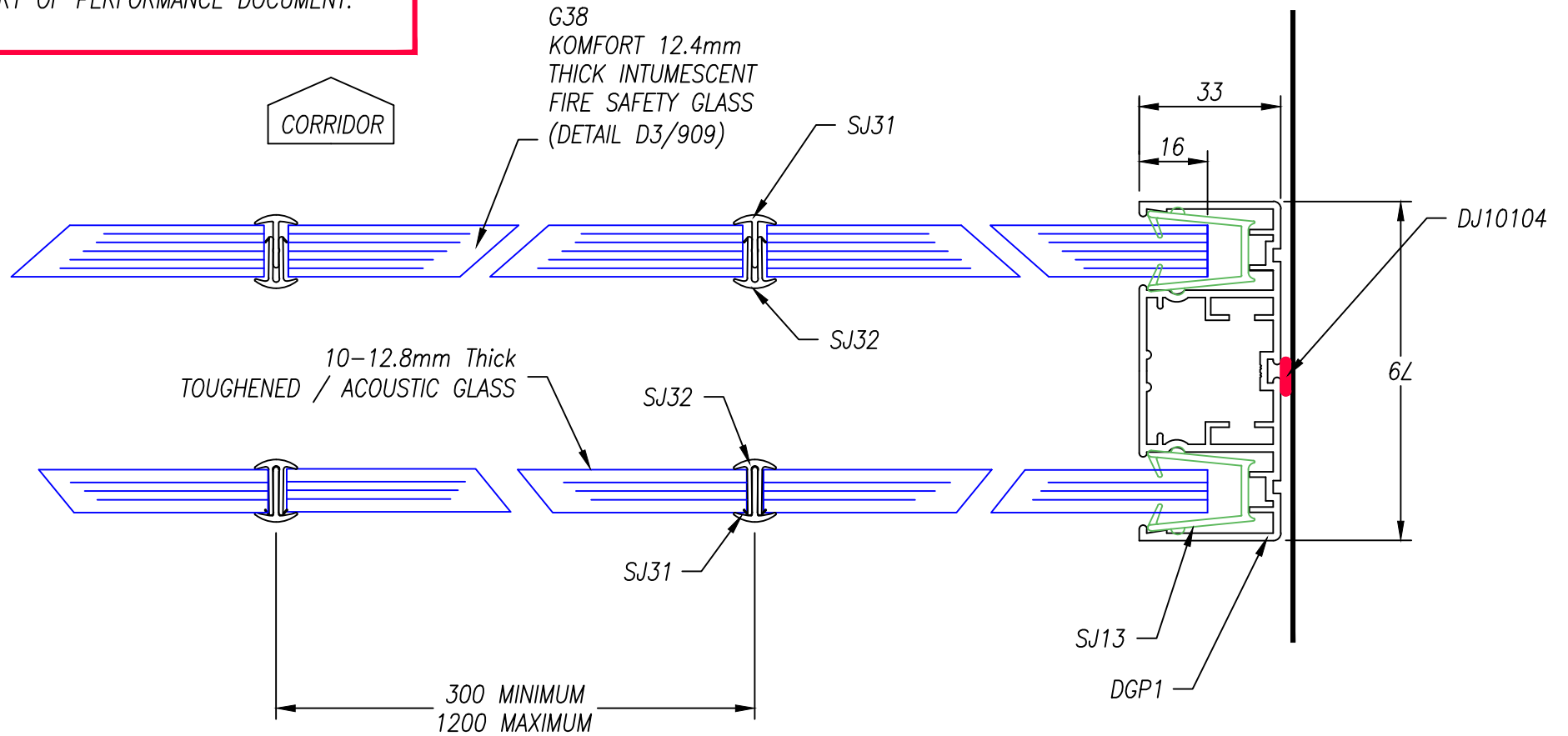


FOR FIRE PERFORMANCE

DRAWING MUST BE READ INCONJUNCTION WITH A SUMMARY OF PERFORMANCE DOCUMENT.

FIRE PERFORMANCE

INTEGRITY: 30mins  
INSULATION: 30mins



ALL DIMENSIONS ARE NOMINAL & IN mm



ASHURST, BROADLANDS BUSINESS CAMPUS,  
LANGHURST WOOD ROAD, HORSHAM,  
WEST SUSSEX, RH12-4QP



SYSTEM:  
**POLAR DOUBLE GLAZED**

JUNCTION CATEGORY:  
**FIRE RATED**

DRAWING NO:  
**14205**

KEY COMPONENTS:  
**DGP1 / SJ31 / SJ32**

DATE:  
**12.12.14**

SCALE:  
**N.T.S**

ISSUE NO:

**1**