

# Polar 30 Design Guide

Revision 1 – March 2020

Think partitioning,  
think Komfort



## Contents

At A Glance

System Outline

System Performance

System Specification

Component Identification

Junction Details



## At a glance

---

### Dimensions:

Height up to 3000mm

### Fire ratings:

N/A

### Acoustics:

Up to 40dB (Rw)\*

### Structure:

Up to Severe Duty

### Deflection head:

+/-25mm

### Door options:

Timber doors

Single glazed doors

Sonik doors

### Glass type options:

10/12mm Toughened

10.8/12.8/14.8mm Acoustic Lam.

### Weight:

10mm Toughened = 25kg/m<sup>2</sup>

12mm Toughened = 30kg/m<sup>2</sup>

10.8mm Ac. Lam. = 27kg/m<sup>2</sup>

12.8mm Ac. Lam. = 32kg/m<sup>2</sup>

14.8mm Ac. Lam. = 37kg/m<sup>2</sup>

### ✗ Blinds

---

### ✓ Manifestations

---

### ✓ Graphics

---

### ✓ Switch Glass

---

### ✓ Kross Glaze

---

### Paint/finishes

---

### ✓ Polyester powder coat

---

### ✗ Satin anodised aluminium

---

### ✓ Special anodised finish

---

\*Dependent on system configuration / specification



## System Outline

Polar 30 is an elegant 30mm wide single glazed system with a range of glass configurations available. The frameless bubble jointed glazing and minimal trackwork provides contemporary aesthetics in any working environment.

This system is compatible with Komfort's Sonik, single glazed and timber door options.



# System Performance

## Acoustic Performance

Airborne sound insulation testing of glazed partitioning in accordance with BS EN ISO 10140-1:2016 and BS EN ISO 10140-2:2010.

Acoustic Performance of Single Glazed Screens		
Glass Configuration	dB Rating	Certificate No.
Polar 30 using 10mm Toughened Glass with Bubble Joint	33dB (Rw)	K30-AP-01
Polar 30 using 12mm Toughened Glass with Bubble Joint	34dB (Rw)	K30-AP-03
Polar 30 using 10.8mm Acoustic Laminated Glass with Bubble Joint	38dB (Rw)	K30-AP-02
Polar 30 using 12.8mm Acoustic Laminated Glass with Bubble Joint	40dB (Rw)	K30-AP-04
Polar 30 using 14.8mm Acoustic Laminated Glass with Bubble Joint	40dB (Rw)	K30-AP-05

It should be noted that in an on-site acoustic test, a partition or doorset can result in a 3dB to 8dB lesser performance than under laboratory conditions. This can be further affected by ambient noise levels on the receiving side of the test sample and by poorly insulated abutments and voids above and below the partition which will result in a 'flanking' path for audible sound.



# System Performance

## Structural Performance

Strength and robustness analysis of glazed partitioning in accordance with BS 5234-2:1992 and BS 6180:2011.

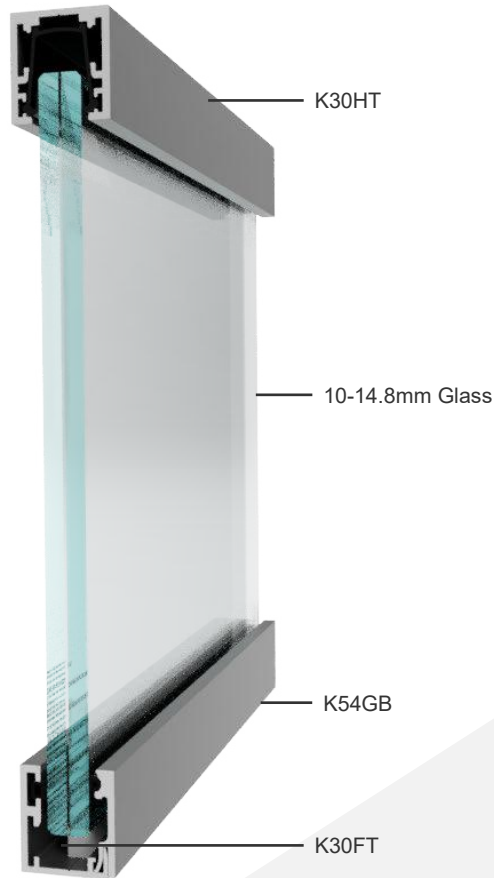
Structural Performance of Single Glazed Screens			
Sample Description	Standard	Result	Certificate No.
Polar 30 using 10mm Toughened Glass with Bubble Joint	BS 5234-2: 1992	0.74kN up to 2.4m	K30-SP-02
Polar 30 using 12mm Toughened Glass with Bubble Joint	BS 6180: 2011	0.74kN up to 3.0m	K30-SP-01
Polar 30 using 10.8mm Acoustic Laminated Glass with Bubble Joint	BS 5234-2: 1992	0.74kN up to 1.9m	K30-SP-03
Polar 30 using 12.8mm Acoustic Laminated Glass with Bubble Joint	BS 5234-2: 1992	0.74kN up to 2.8m	K30-SP-04
Polar 30 using 14.8mm Acoustic Laminated Glass with Bubble Joint	BS 5234-2: 1992	0.74kN up to 3.0m	K30-SP-05

Polar 30 structural performance is assessed based on Polar 54 test data and Finite Element Analysis of supported glass by independent consultants.



# System Specification

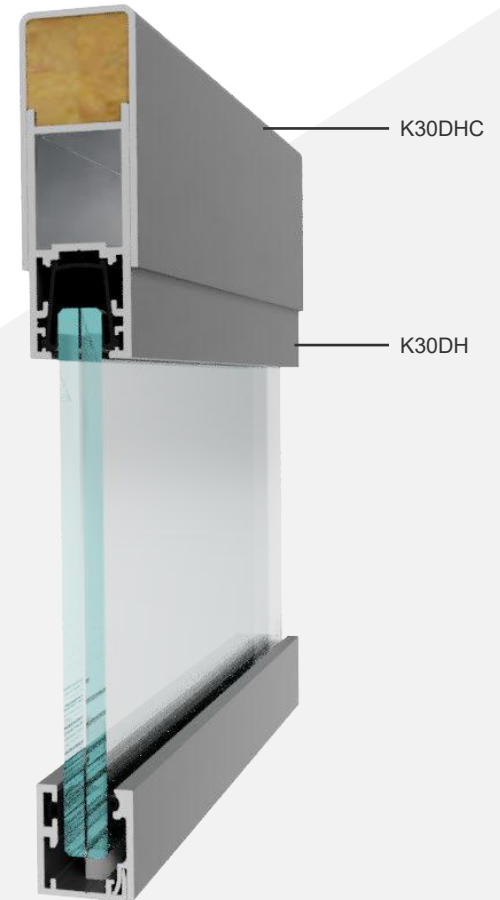
Standard details of single glazed head, base, door frame and +/-25mm deflection components.



Standard Single Glazed Head and Base Detail

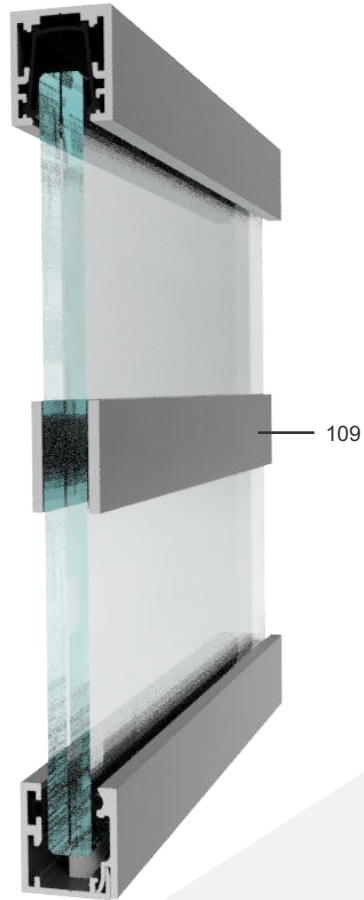


Standard Full Height Door Frame Detail

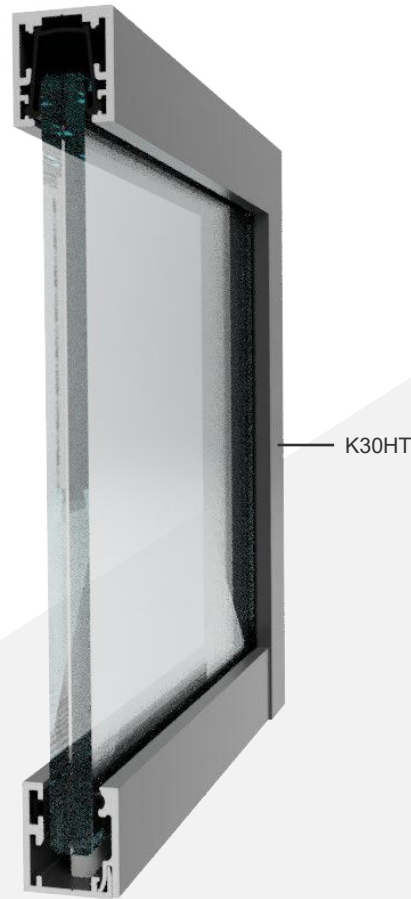


Standard +/-25mm Deflection Head and Base Detail

Standard details of single glazed with applied Kross Glaze bars, into wall abutment and tape and joint adaptor into 100mm drywall.



Single Glazed with Applied  
Kross Glaze Bars



Single Glazed into  
K30HT as Wall Abutment

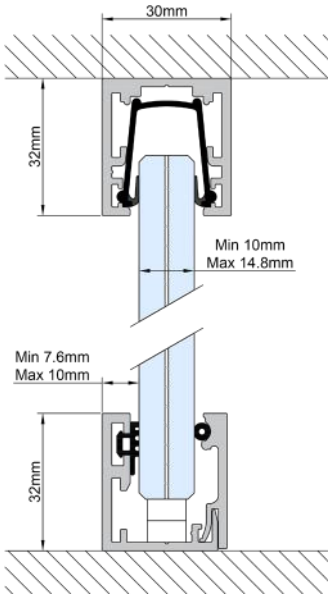


Tape & Joint Adaptor into  
100mm Drywall



# System Specification

The system can accommodate 10-14.8mm glass, the diagram below shows the typical dimensions for a screen.







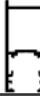




Aluminium components for the screen and door will be powder coated, our standard colour options are shown below. All special colour options can be manufactured to any RAL or BS colour code, please ask for availability.









RAL 9010	BS 00A05	RAL 9006	RAL 9005
Velocity White	Velocity Grey	Velocity Silver	Velocity Black

If a specialist finish is required on the aluminium please contact your local project specification manager or our technical department














# Component Identification





ALUMINIUM EXTRUSIONS					
CODE	I.D	DESCRIPTION	CODE	I.D	DESCRIPTION
K30HT		Head Track	K30FT		Floor Track
K30DF		Door Frame	K54GB		32mm Glazing Bead
K30DH		Deflection Head	K30TJ100		100mm Tape & Joint Adaptor Post
K30WA75		75mm Drywall Wrap Around Adaptor Post	K30WA100		100mm Drywall Wrap Around Adaptor Post
109		32mm x 3mm Flat			

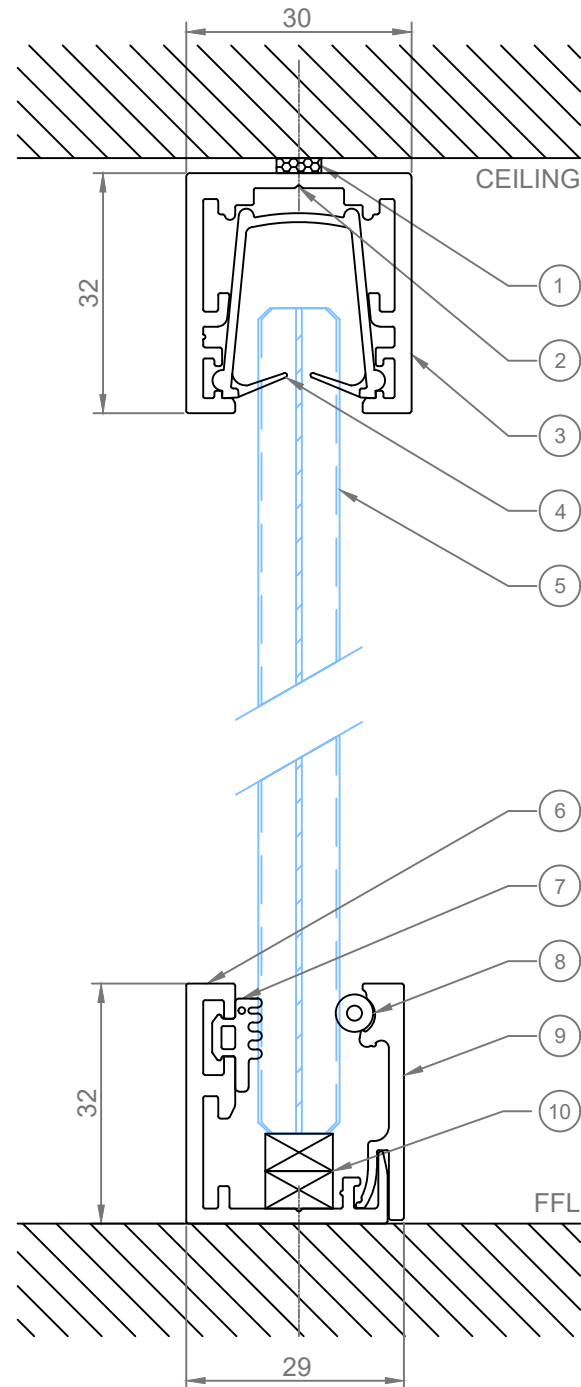
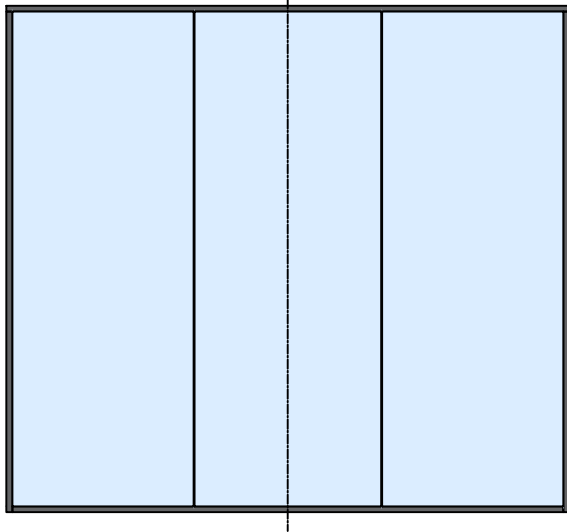
PLASTIC EXTRUSIONS					
CODE	I.D	DESCRIPTION	CODE	I.D	DESCRIPTION
SJ20		Glazing Channel Gasket for 10-14.8mm Glass	K54DS		Door Frame Buffer Seal
K54BG4B		4mm Dia. Hollow Base Gasket for 12-12.8mm Glass	K54BG5B		5mm Dia. Hollow Base Gasket for 10-10.8mm Glass
SJ26.10B		E Gasket for 10-10.8mm Glass	SJ26.12B		E Gasket for 12-12.8mm Glass
SJ34		Bubble Dry Joint for 10-12.8mm Glass	K35BJ		Bubble Dry Joint for 14.8mm Glass

# Component Identification

OTHER COMPONENTS, BRACKETS & CLEATS					
CODE	I.D	DESCRIPTION	CODE	I.D	DESCRIPTION
K54SC		Narrow Stealth Cleat	K54DFB		Door Frame Floor Bracket
K30C180		Straight Junction Cleat	K30C90		90° Corner Junction Cleat
K30C135		135° Corner Junction Cleat	K30DHC		Deflection Head Channel
K30FEC		Floor Track End Cap			

FIXINGS					
CODE	I.D	DESCRIPTION	CODE	I.D	DESCRIPTION
311		38mm x No8 CSK Doorframe Screw	381		M5 x 10lg Taptite Screw CSK
DFHS.75		Self-Drilling Drywall Screw 4.2 x 75mm	DF16042		42mm Drywall Screw

FOAMS & TAPES					
CODE	I.D	DESCRIPTION	CODE	I.D	DESCRIPTION
174		6mm x 1mm Foam for 14.8mm Glass	175		6mm x 2mm Foam for 14.8mm Glass
342		12mm x 6mm Foam Rubber	TAPE19.1C		Tesa 62932 500um Double Sided PE Foam Tape



Maximum Glazed Module Possible		
Unit	Height	Width
Module Size	2400mm	1200mm
Glass Size	2370mm	1196mm

## Polar 30





COMPONENT KEY:

1	342 FOAM
2	SUITABLE STRUCTURAL FIXING
3	K30HT
4	SJ20
5	10-10.8mm (CFT or A/Lam) GLASS
6	K30FT
7	SJ26.10B
8	K54BG5B
9	K54GB
10	PSUN PACKERS

NOTES:

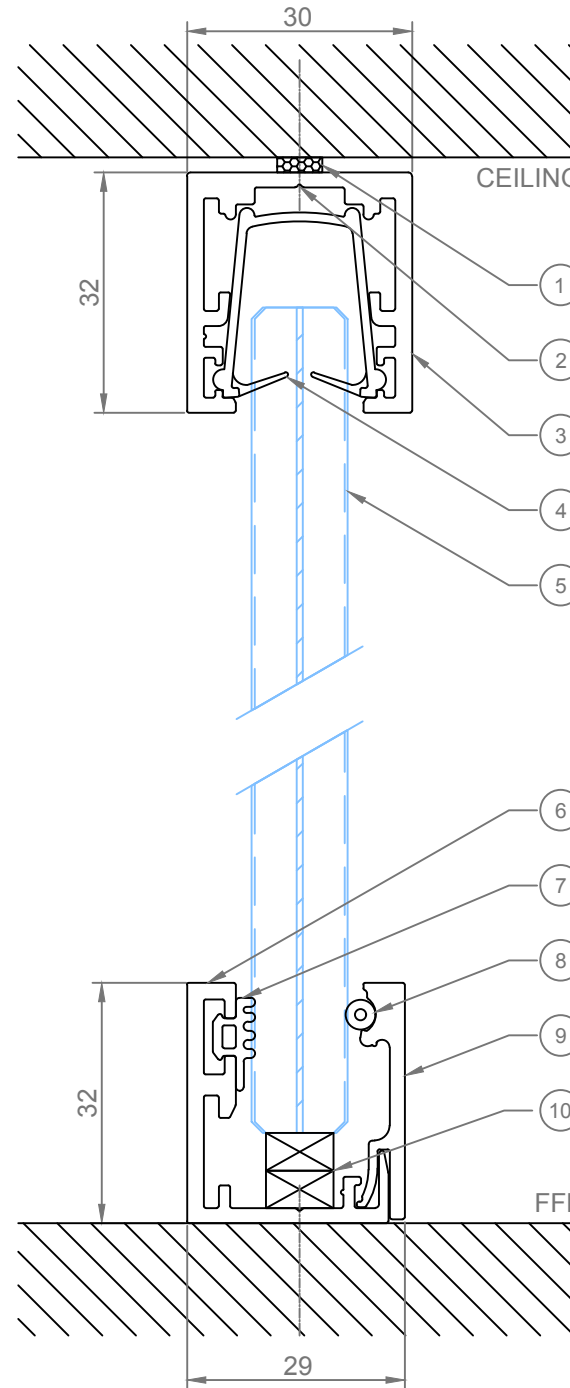
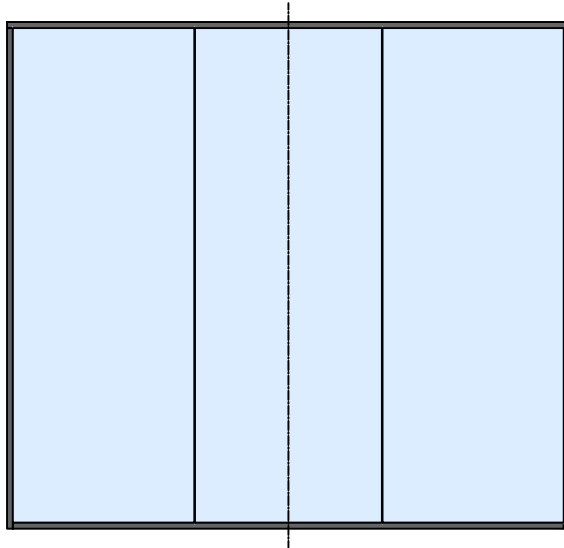
ALL DIMENSIONS ARE NOMINAL & IN mm

JUNCTION CATEGORY:

-  Single Glazed
-  Vertical Screen  
10-10.8mm Glass
-  0 min Integrity  
0 min Insulation
-  +/- 0 mm  
Deflection

DRAWING NO: K30-VS-01      DATE: 11/03/20

SCALE: 1:1      ISSUE NO: 2



Maximum Glazed Module Possible		
Unit	Height	Width
Module Size	3000mm	1200mm
Glass Size	2970mm	1196mm

## Polar 30





COMPONENT KEY:

1	342 FOAM
2	SUITABLE STRUCTURAL FIXING
3	K30HT
4	SJ20
5	12-12.8mm (CFT or A/Lam) GLASS
6	K30FT
7	SJ26.12B
8	K54BG4B
9	K54GB
10	PSUN PACKERS

NOTES:

ALL DIMENSIONS ARE NOMINAL & IN mm

JUNCTION CATEGORY:

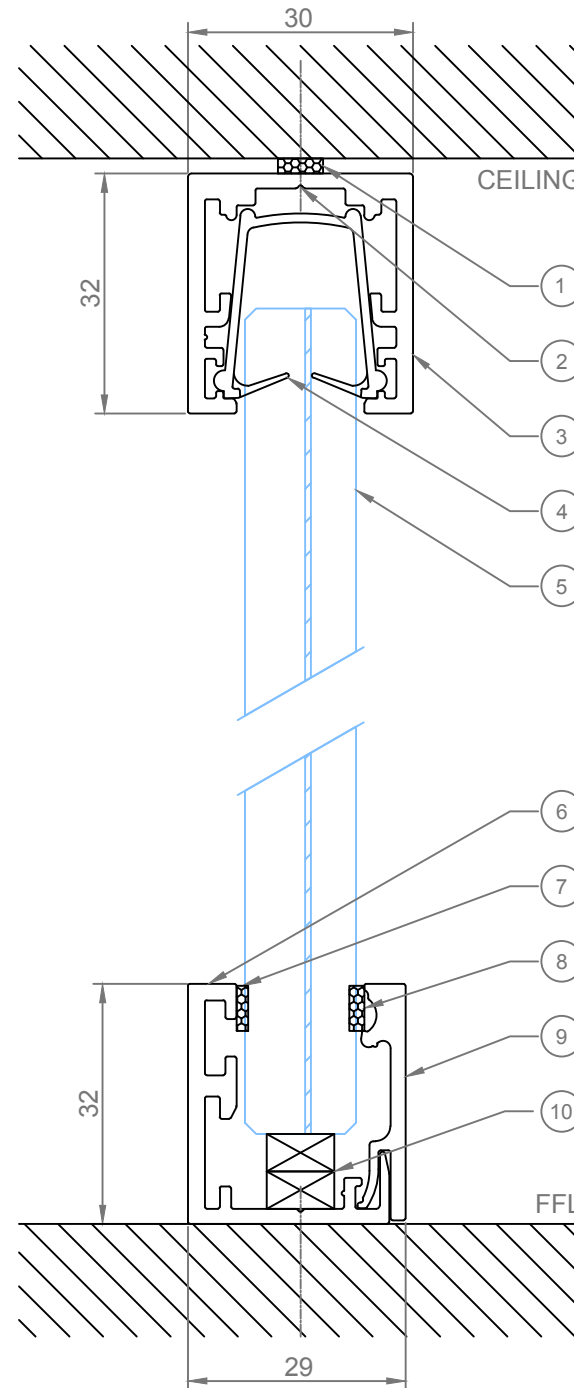
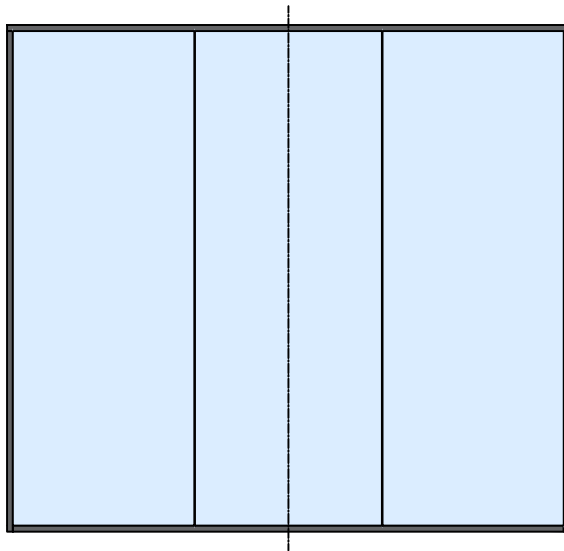
-  Single Glazed
-  Vertical Screen  
12-12.8mm Glass
-  0 min Integrity  
0 min Insulation
-  +/- 0 mm  
Deflection

DRAWING NO:  
K30-VS-02

DATE:  
23/07/19

SCALE:  
1:1

ISSUE NO:  
1



Maximum Glazed Module Possible		
Unit	Height	Width
Module Size	3000mm	1200mm
Glass Size	2970mm	1196mm

## Polar 30





COMPONENT KEY:

1	342 FOAM
2	SUITABLE STRUCTURAL FIXING
3	K30HT
4	SJ20
5	14.8mm (Acoustic Lam) GLASS
6	K30FT
7	174
8	175
9	K54GB
10	PSUN PACKERS

NOTES:

ALL DIMENSIONS ARE NOMINAL & IN mm

JUNCTION CATEGORY:

-  Single Glazed
-  Vertical Screen  
14.8mm A/Lam Glass
-  0 min Integrity  
0 min Insulation
-  +/- 0 mm  
Deflection

DRAWING NO:  
K30-VS-03

DATE:  
23/07/19

SCALE:  
1:1

ISSUE NO:  
1

## Polar 30





COMPONENT KEY:

1	342 FOAM
2	SUITABLE STRUCTURAL FIXING
3	K30DHC
4	881S50
5	K30DH
6	SJ20
7	10-14.8mm (CFT or A/Lam) GLASS

NOTES:

ALL DIMENSIONS ARE NOMINAL & IN mm

JUNCTION CATEGORY:

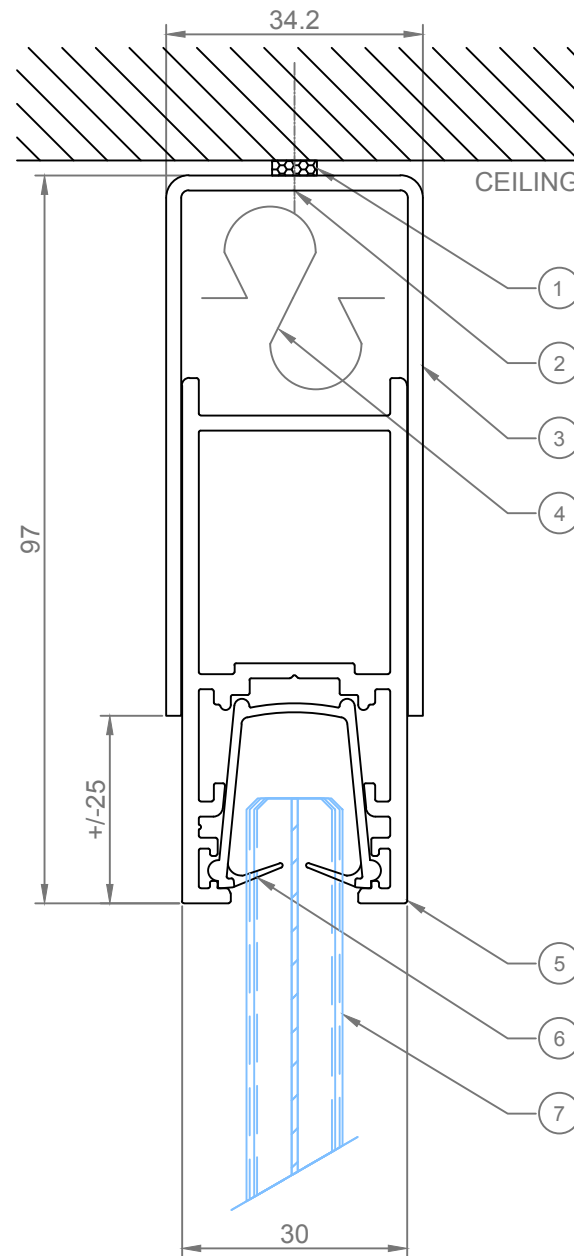
-  Single Glazed
-  Deflection Head Over Screen
-  0 min Integrity  
0 min Insulation
-  +/-25 mm  
Deflection

DRAWING NO:  
K30-VS-04

DATE:  
23/07/19

SCALE:  
1:1

ISSUE NO:  
1



## Polar 30

COMPONENT KEY:

1	342 FOAM
2	SUITABLE STRUCTURAL FIXING
3	K30DHC
4	881S50
5	K30DH
6	SJ20
7	SJ69
8	K30DF
9	K54DS

NOTES:

ALL DIMENSIONS ARE NOMINAL & IN mm

JUNCTION CATEGORY:

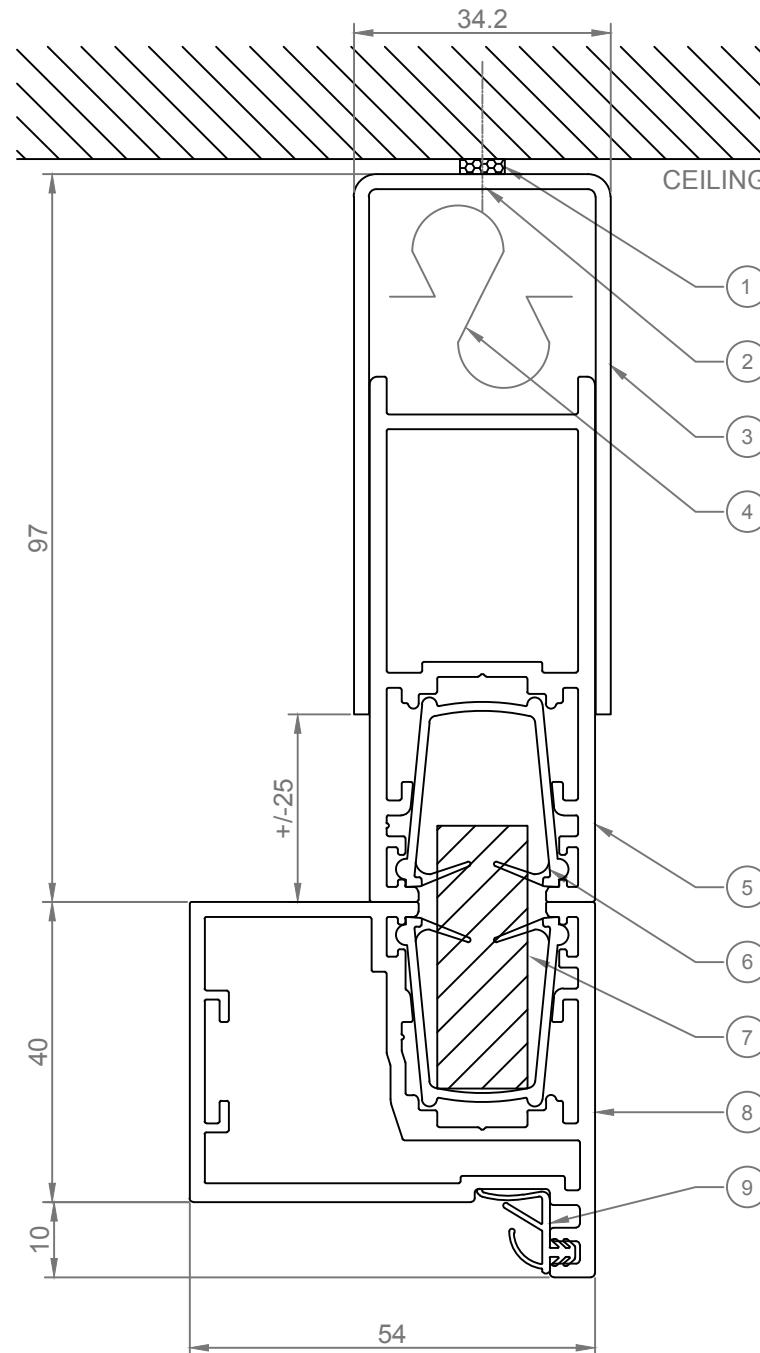
-  Single Glazed
-  Deflection Head Over Door Frame
-  0 min Integrity  
0 min Insulation
-  +/-25 mm  
Deflection

DRAWING NO:  
K30-VS-05

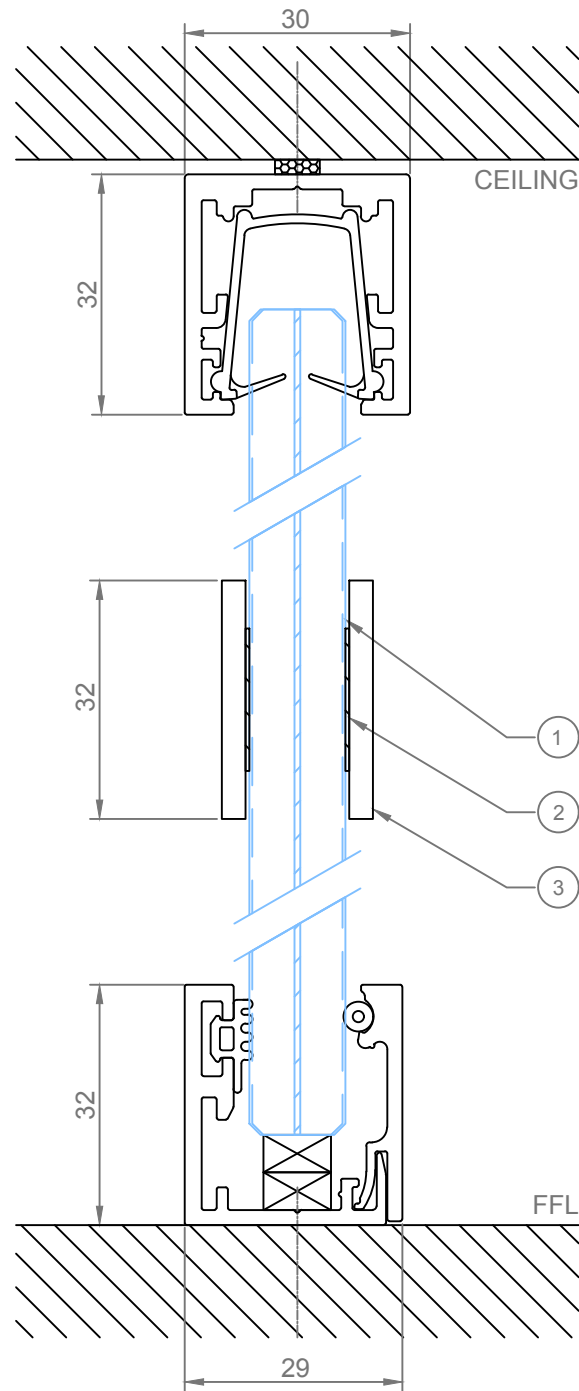
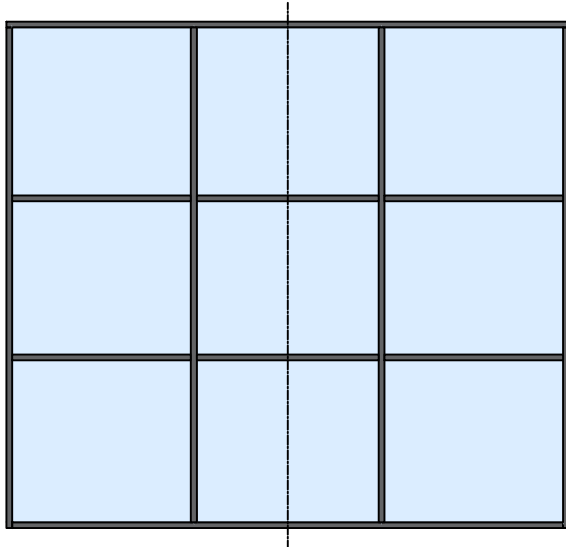
DATE:  
23/07/19

SCALE:  
1:1

ISSUE NO:  
1







Maximum Glazed Module Possible		
Unit	Height	Width
Module Size	3000mm	1200mm
Glass Size	2970mm	1196mm

## Polar 30





COMPONENT KEY:

1	10-14.8mm (CFT or A/Lam) GLASS
2	TAPE19.1C
3	109

NOTES:

ALL DIMENSIONS ARE NOMINAL & IN mm

JUNCTION CATEGORY:

-  Single Glazed
-  Vertical Screen Cross Glaze
-  0 min Integrity  
0 min Insulation
-  +/- 0 mm Deflection

DRAWING NO:  
K30-VS-06

DATE:  
19/08/19

SCALE:  
1:1

ISSUE NO:  
1

## Polar 30





COMPONENT KEY:

1	342 FOAM
2	SUITABLE STRUCTURAL FIXING
3	K30HT
4	SJ20
5	10-12.8mm (CFT or A/Lam) GLASS
6	K30FT
7	K54GB
8	K54BG5B or K54BG4B
9	SJ26.10B or SJ26.12B

NOTES:

ALL DIMENSIONS ARE NOMINAL & IN mm

JUNCTION CATEGORY:

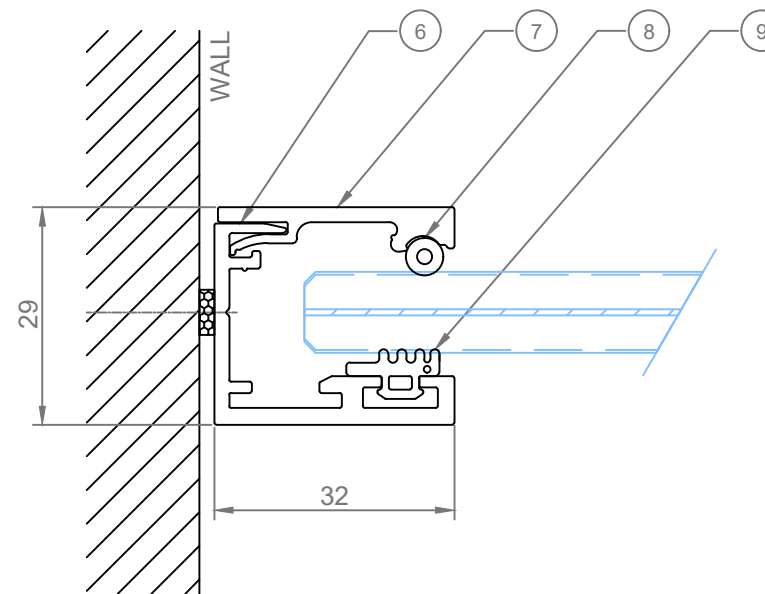
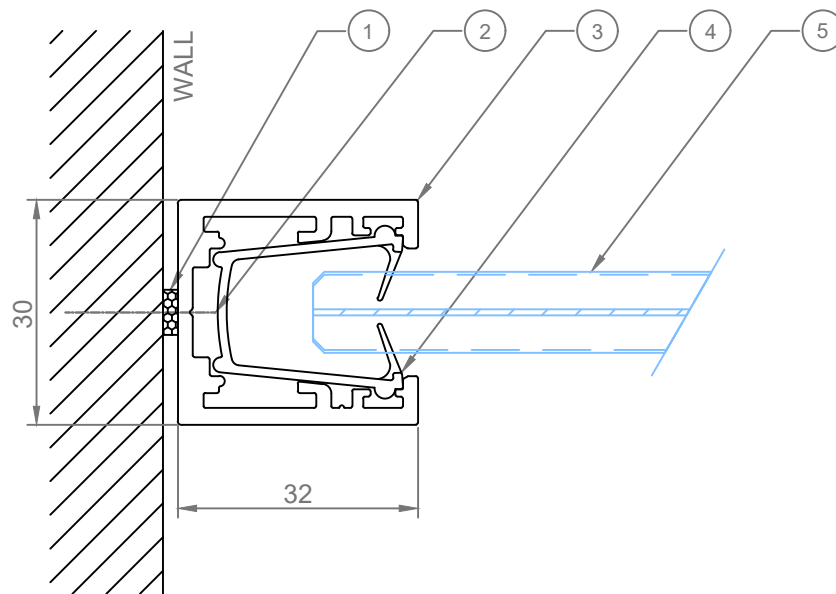
-  Single Glazed
-  Horizontal Screen Wall Abutment
-  0 min Integrity  
0 min Insulation
-  +/- 0 mm Deflection

DRAWING NO:  
K30-HS-01

DATE:  
10/03/20

SCALE:  
1:1

ISSUE NO:  
2



## Polar 30





COMPONENT KEY:

1	342 FOAM
2	SUITABLE STRUCTURAL FIXING
3	K30HT
4	SJ20
5	14.8mm (Acoustic Lam) GLASS
6	K30FT
7	K54GB
8	175
9	174

NOTES:

ALL DIMENSIONS ARE NOMINAL & IN mm

JUNCTION CATEGORY:

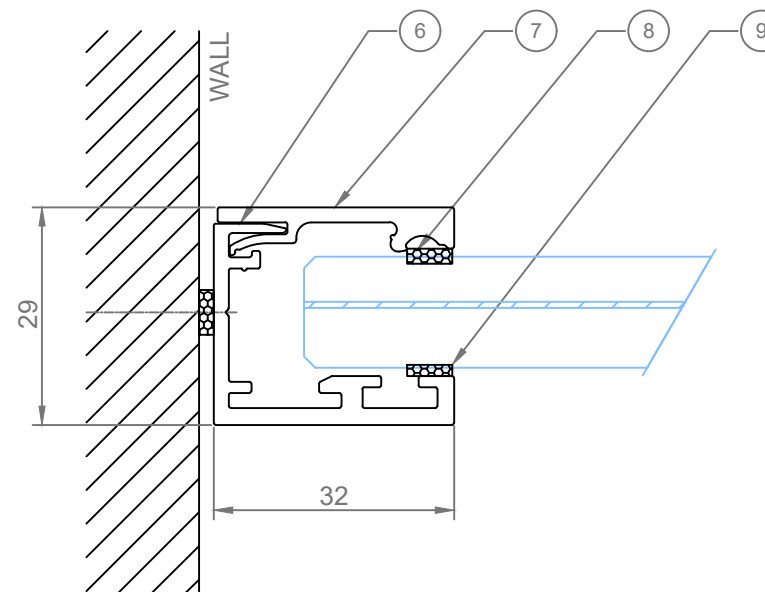
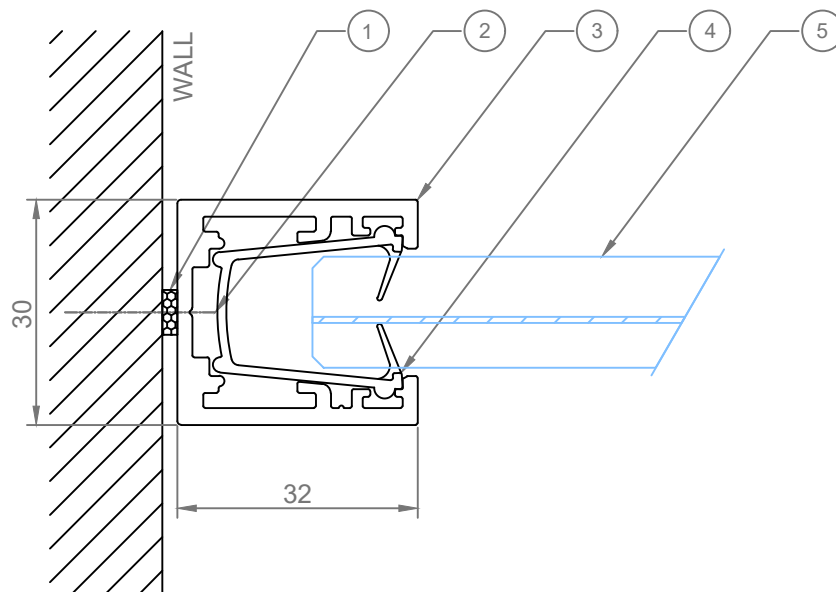
-  Single Glazed
-  Horizontal Screen Wall Abutment
-  0 min Integrity  
0 min Insulation
-  +/- 0 mm Deflection

DRAWING NO:  
K30-HS-02

DATE:  
10/03/20

SCALE:  
1:1

ISSUE NO:  
2



## Polar 30


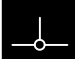


COMPONENT KEY:

1	12.5mm PLASTERBOARD
2	881S50
3	853
4	331
5	SUITABLE STRUCTURAL FIXING
6	K30TJ100
7	SJ20
8	10-14.8mm (CFT or A/Lam) GLASS

NOTES:

ALL DIMENSIONS ARE NOMINAL & IN mm

JUNCTION CATEGORY:

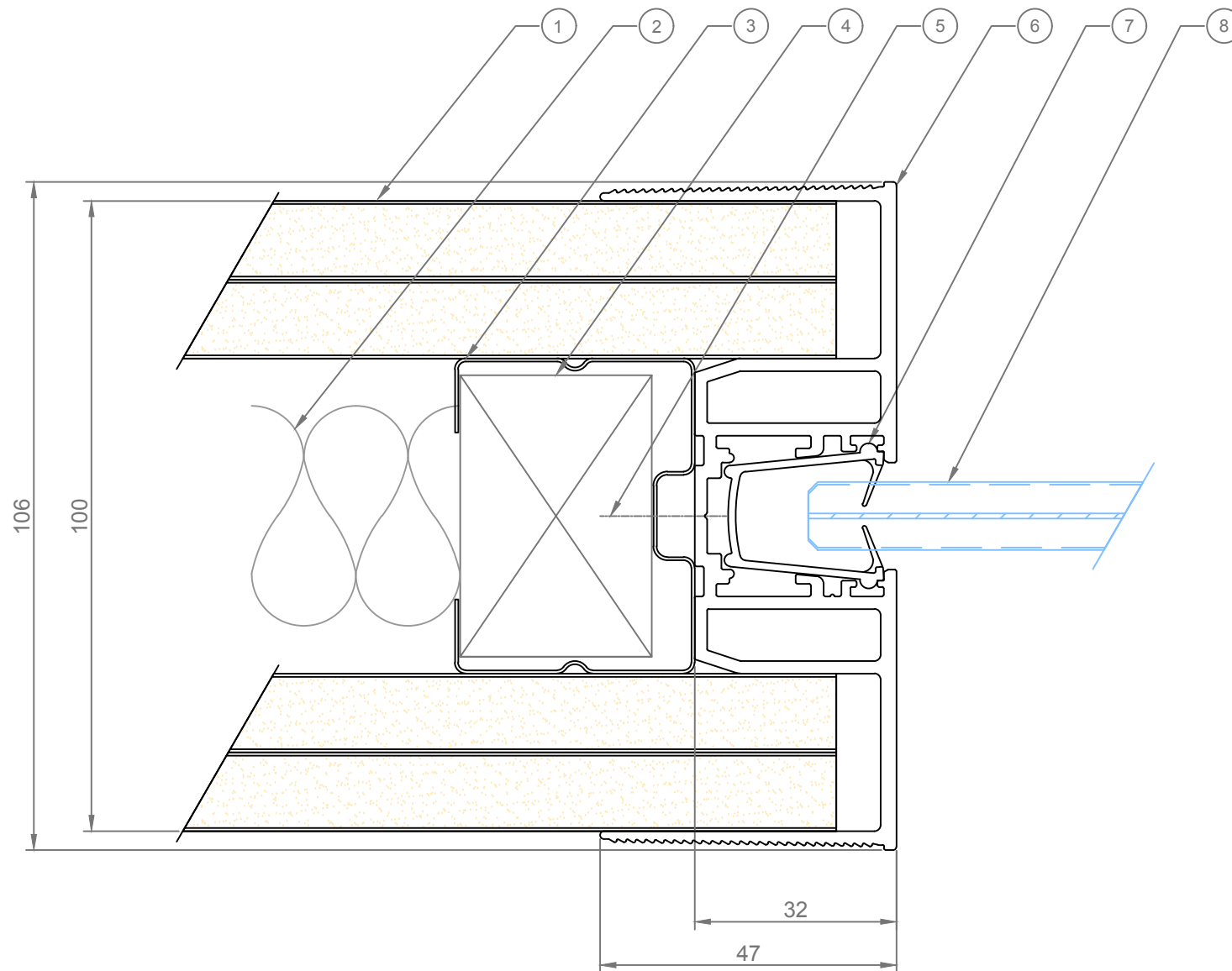
-  Single Glazed
-  Horizontal Screen Drywall Adaptor
-  0 min Integrity  
0 min Insulation
-  +/- 0 mm Deflection

DRAWING NO:  
K30-HS-03

DATE:  
24/07/19

SCALE:  
1:1

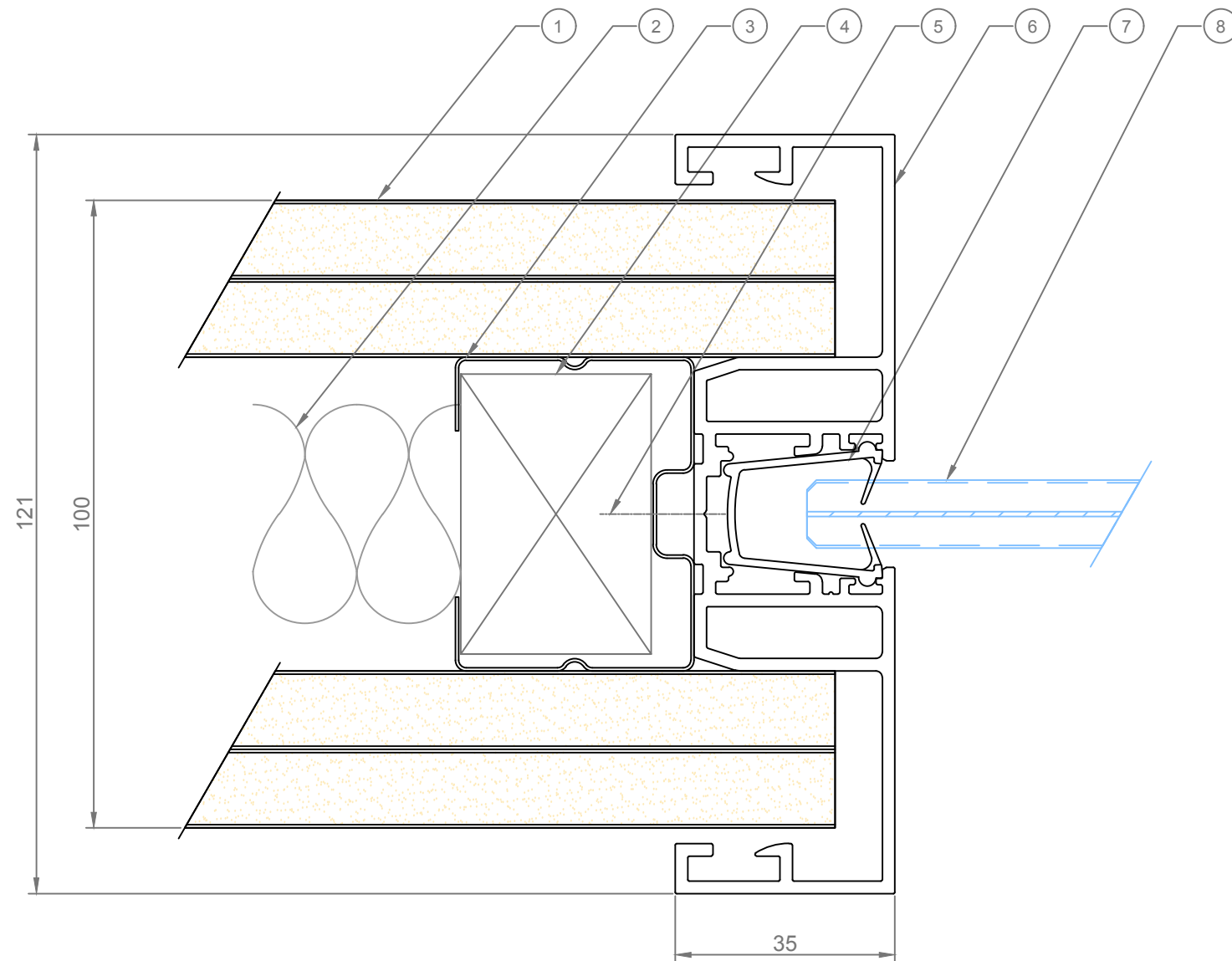
ISSUE NO:  
1



## Polar 30

COMPONENT KEY:

1	12.5mm PLASTERBOARD
2	881S50
3	853
4	331
5	SUITABLE STRUCTURAL FIXING
6	K30WA100
7	SJ20
8	10-14.8mm (CFT or A/Lam) GLASS



NOTES:

ALL DIMENSIONS ARE NOMINAL & IN mm

JUNCTION CATEGORY:

-  Single Glazed
-  Horizontal Screen Drywall Adaptor
-  0 min Integrity  
0 min Insulation
-  +/- 0 mm Deflection

DRAWING NO:  
K30-HS-04

DATE:  
24/07/19

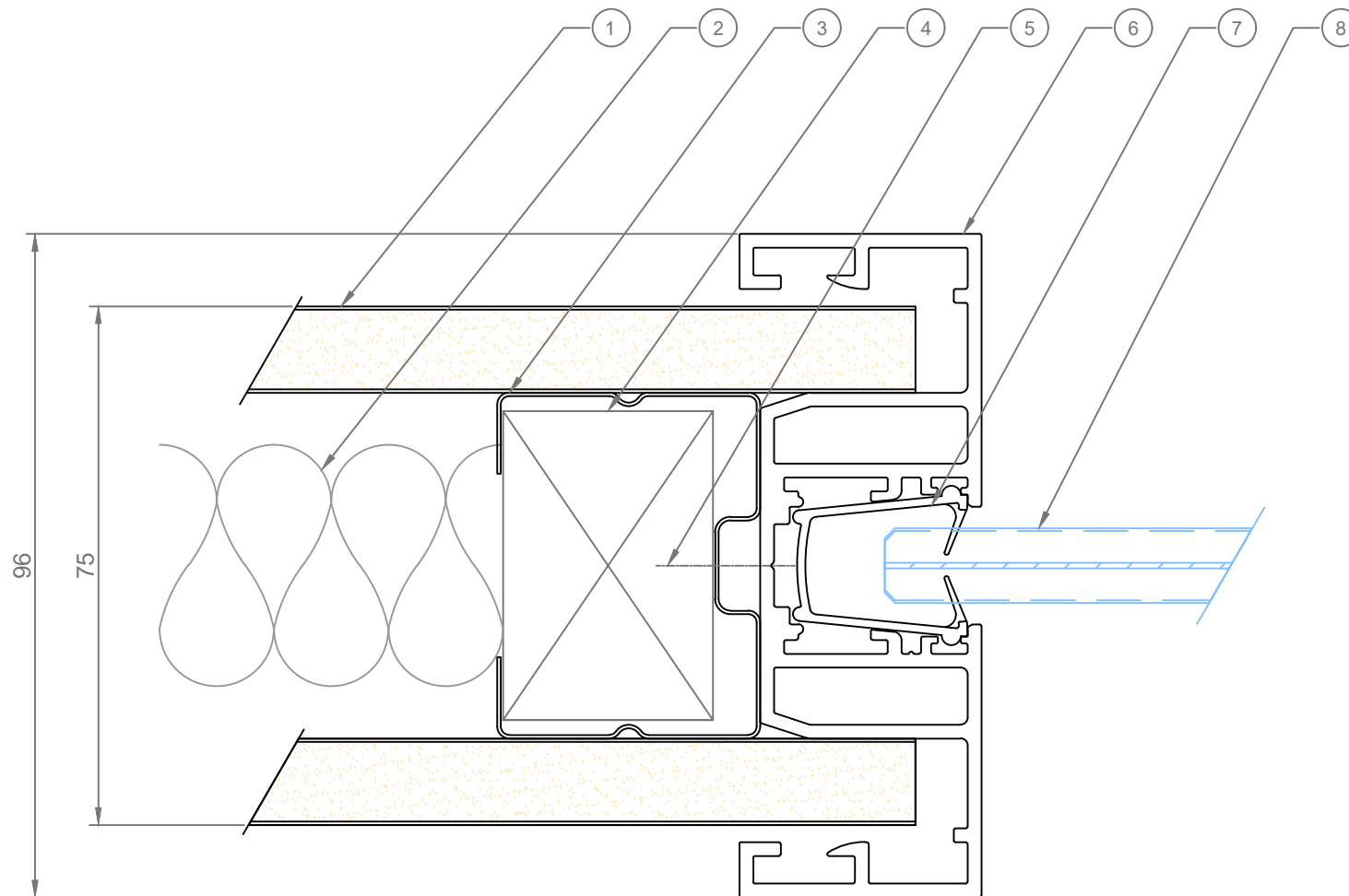
SCALE:  
1:1

ISSUE NO:  
1

## Polar 30

COMPONENT KEY:

1	12.5mm PLASTERBOARD
2	881S50
3	853
4	331
5	SUITABLE STRUCTURAL FIXING
6	K30WA75
7	SJ20
8	10-14.8mm (CFT or A/Lam) GLASS



NOTES:

ALL DIMENSIONS ARE NOMINAL & IN mm

JUNCTION CATEGORY:



Single Glazed



Horizontal Screen  
Drywall Adaptor



0 min Integrity  
0 min Insulation



+/- 0 mm  
Deflection

DRAWING NO:  
K30-HS-08

DATE:  
02/03/20

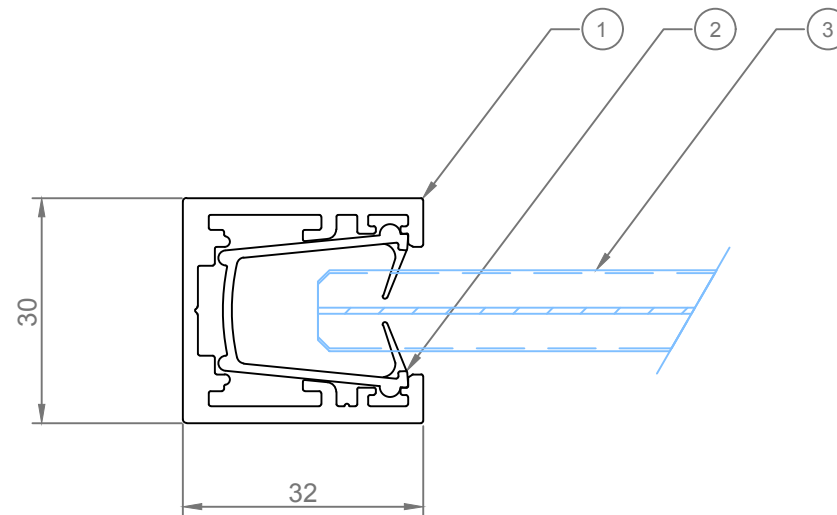
SCALE:  
1:1

ISSUE NO:  
1

## Polar 30

COMPONENT KEY:

1	K30HT
2	SJ20
3	10-14.8mm (CFT or A/Lam) GLASS



NOTES:

ALL DIMENSIONS ARE NOMINAL & IN mm

JUNCTION CATEGORY:



Single Glazed



Horizontal Screen  
Fair End



0 min Integrity  
0 min Insulation



+/- 0 mm  
Deflection

DRAWING NO:  
**K30-HS-05**

DATE:  
**24/07/19**

SCALE:  
**1:1**

ISSUE NO:  
**1**

## Polar 30





COMPONENT KEY:

1	10-14.8 mm (CFT or A/Lam) GLASS
2	SJ34 (10-12.8mm)/K35BJ (14.8mm)

NOTES:

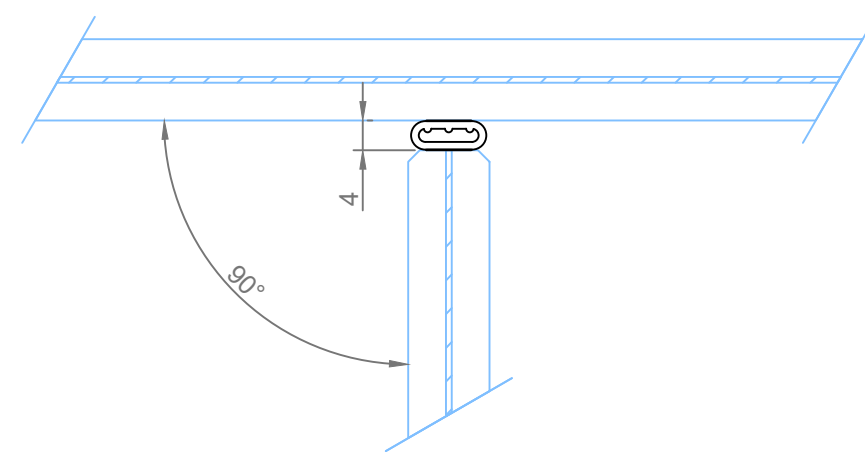
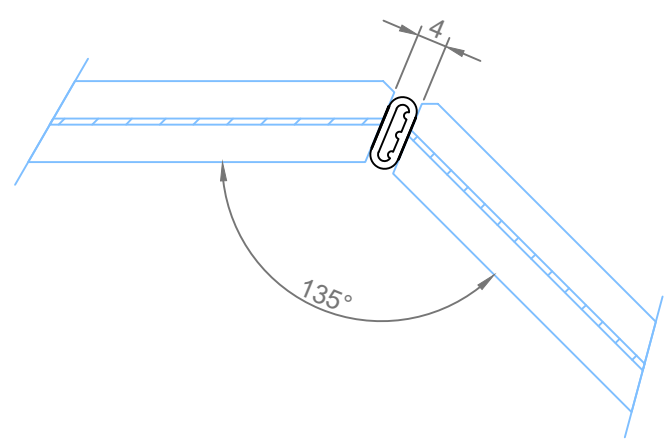
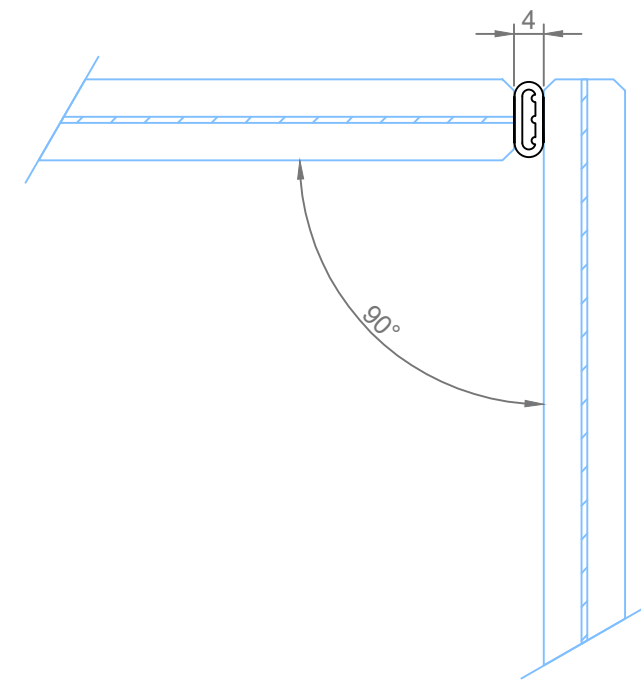
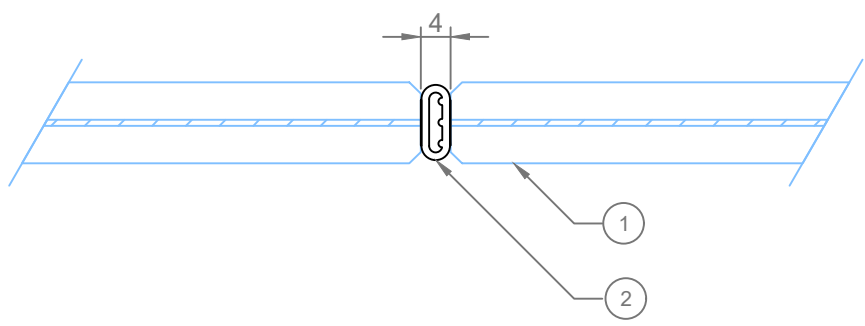
ALL DIMENSIONS ARE NOMINAL & IN mm

JUNCTION CATEGORY:

-  Single Glazed
-  Horizontal Screen Glazing Joints
-  0 min Integrity  
0 min Insulation
-  +/- 0 mm Deflection

DRAWING NO: K30-HS-06      DATE: 10/03/20

SCALE: 1:1      ISSUE NO: 2





## Polar 30





COMPONENT KEY:

1	10-14.8 mm (CFT or A/Lam) GLASS
2	SILICONE JOINT

NOTES:

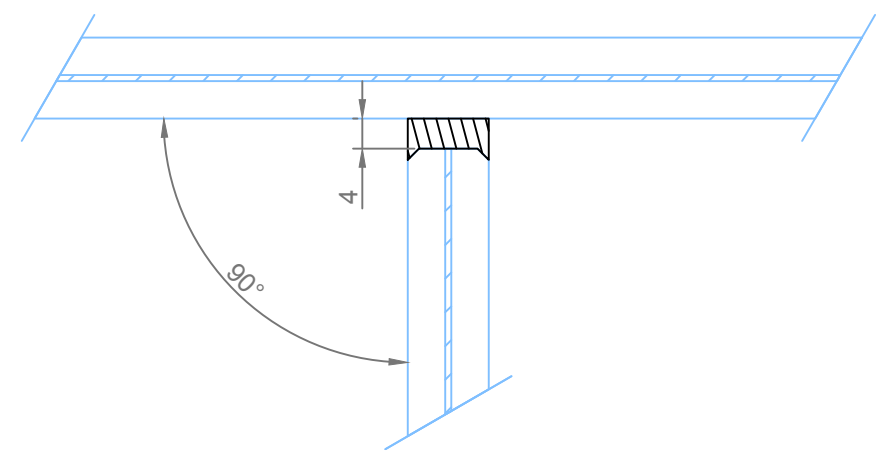
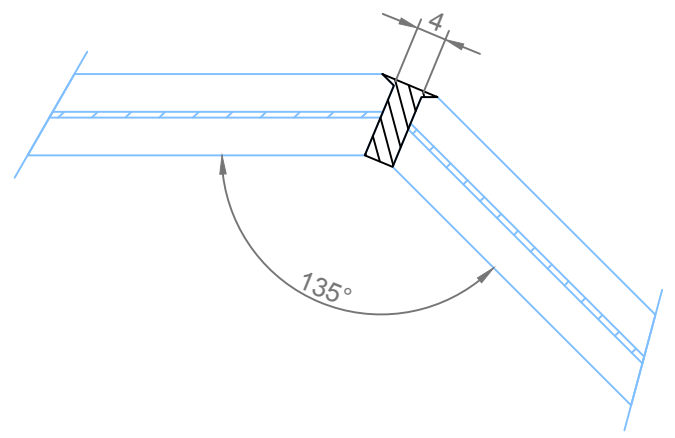
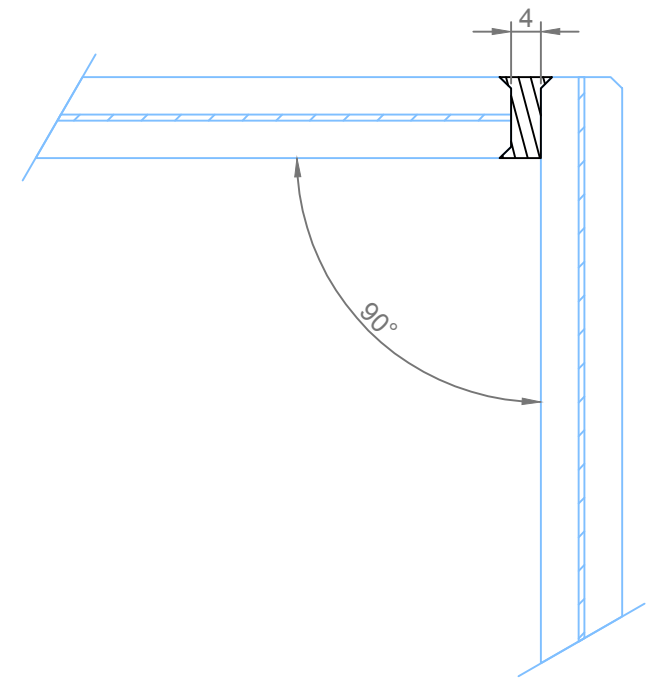
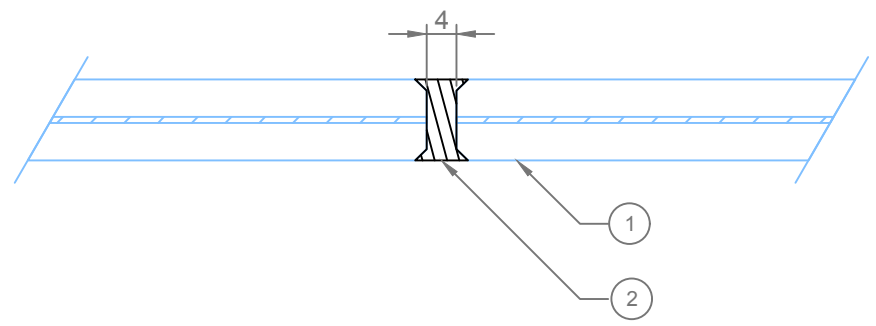
ALL DIMENSIONS ARE NOMINAL & IN mm

JUNCTION CATEGORY:

-  Single Glazed
-  Horizontal Screen Glazing Joints
-  0 min Integrity  
0 min Insulation
-  +/- 0 mm Deflection

DRAWING NO: K30-HS-07      DATE: 23/07/19

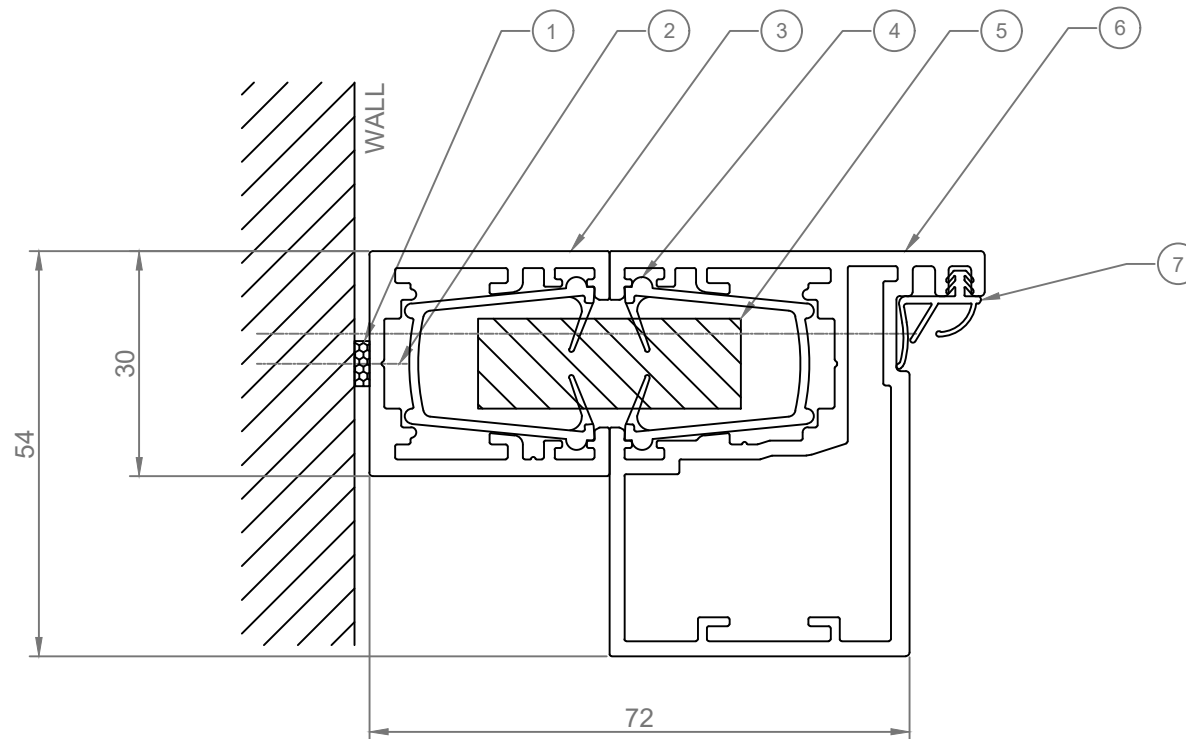
SCALE: 1:1      ISSUE NO: 1



## Polar 30

COMPONENT KEY:

1	342
2	SUITABLE STRUCTURAL FIXING
3	K30HT
4	SJ20
5	SJ69
6	K30DF
7	K54DS



NOTES:

ALL DIMENSIONS ARE NOMINAL & IN mm

JUNCTION CATEGORY:



Single Glazed



Horizontal Screen  
Door Frame to Wall



0 min Integrity  
0 min Insulation



+/- 0 mm  
Deflection

DRAWING NO:  
K30-HS-09

DATE:  
04/03/20

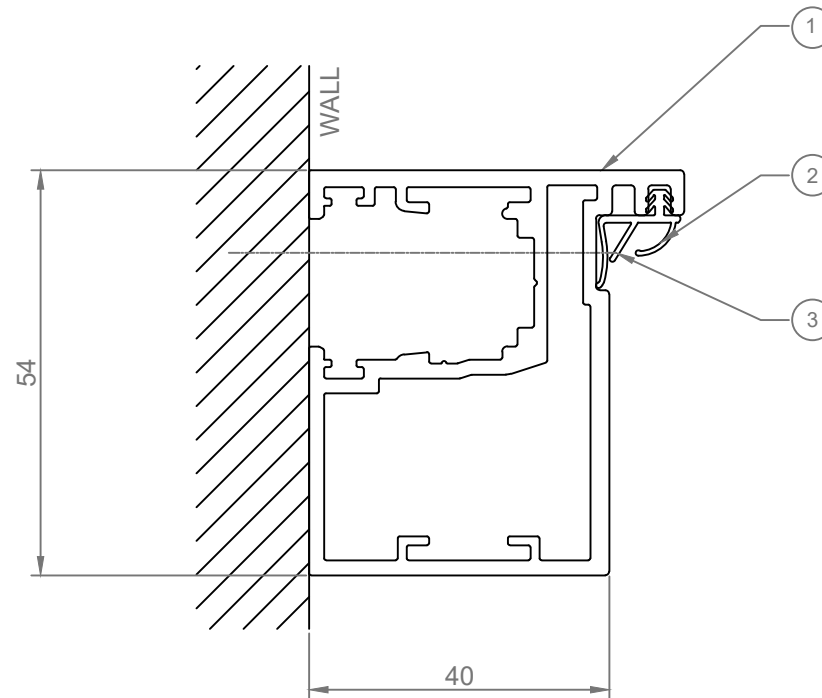
SCALE:  
1:1

ISSUE NO:  
1

## Polar 30

COMPONENT KEY:

1	K30DF
2	K54DS
3	SUITABLE STRUCTURAL FIXING



NOTES:

ALL DIMENSIONS ARE NOMINAL & IN mm

JUNCTION CATEGORY:



Single Glazed



Horizontal Screen  
Door Frame to Wall



0 min Integrity  
0 min Insulation



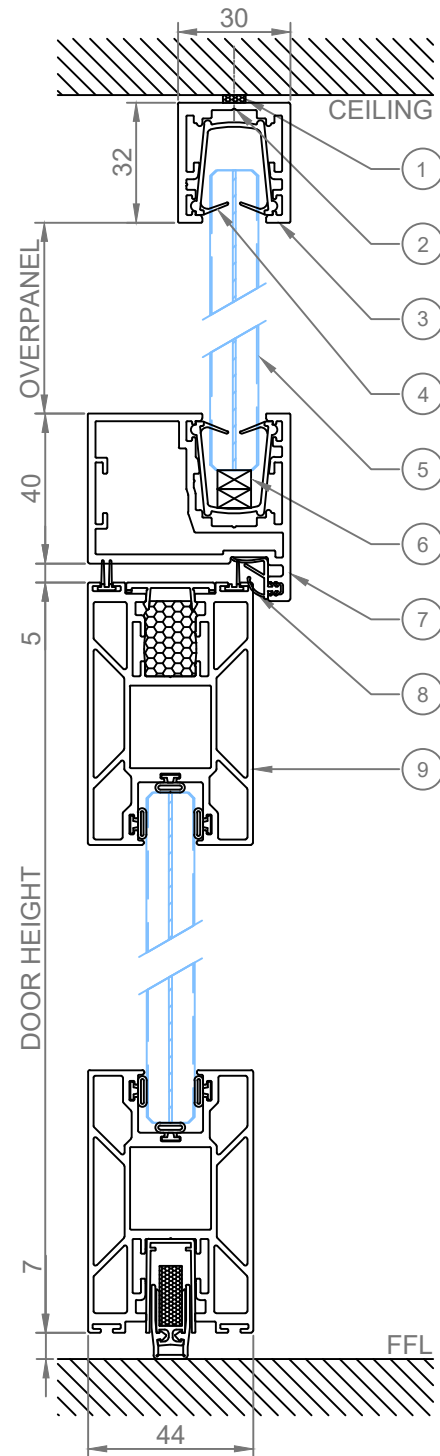
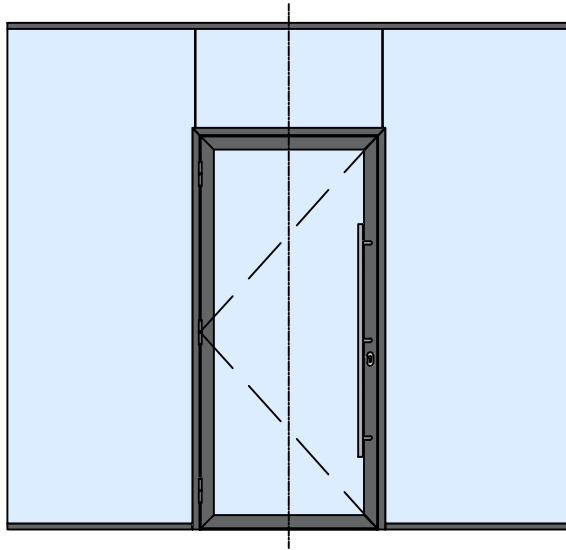
+/- 0 mm  
Deflection

DRAWING NO:  
K30-HS-10

DATE:  
04/03/20

SCALE:  
1:1

ISSUE NO:  
1



Maximum overpanel height is based on it being no more than 25% of the actual door height.

	Minimum	Maximum
Overpanel Height	200mm	583mm
Door Height	1981mm	To Suit
Overall Height	2265mm	3000mm

## Polar 30

### COMPONENT KEY:

1	342 FOAM
2	SUITABLE STRUCTURAL FIXING
3	K30HT
4	SJ20
5	10-14.8mm (CFT or A/Lam) GLASS
6	PSUN PACKERS
7	K30DF
8	K54DS
9	44mm SONIK DOOR

### NOTES:

OTHER IRONMONGERY OPTIONS ARE AVAILABLE

REFER TO SONIK DOOR DESIGN GUIDE FOR MORE INFORMATION

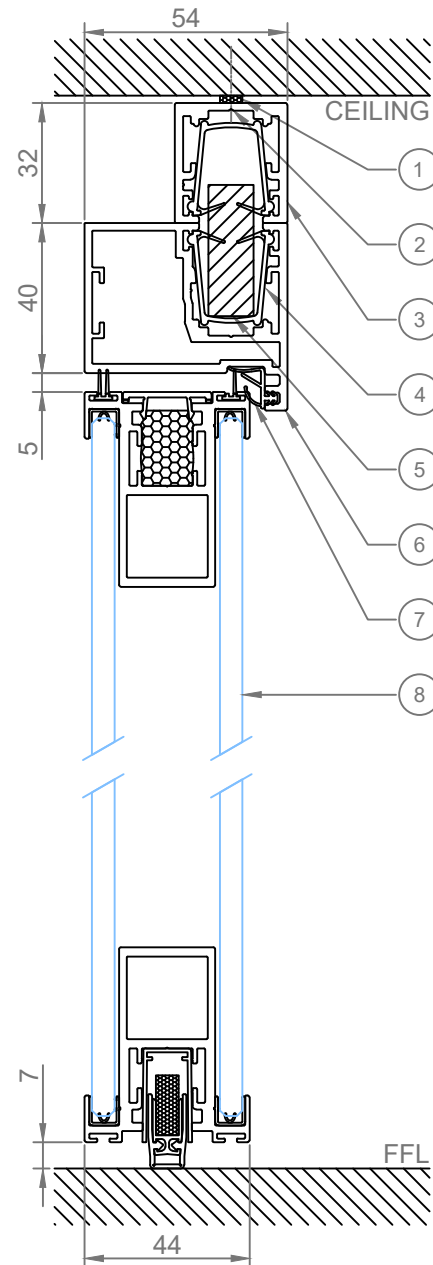
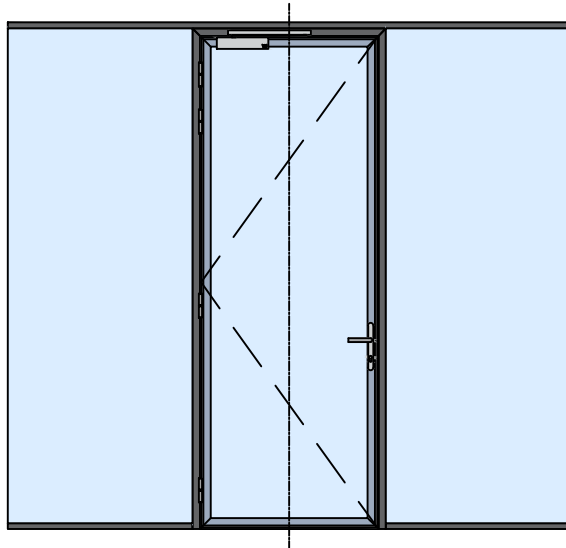
ALL DIMENSIONS ARE NOMINAL & IN mm

### JUNCTION CATEGORY:

-  Single Glazed
-  Vertical Door Sonik with Over Panel
-  0 min Integrity  
0 min Insulation
-  +/- 0 mm Deflection

DRAWING NO: K30-VD-01      DATE: 11/03/20

SCALE: 1:2      ISSUE NO: 2



Door Height Parameters		
	Minimum	Maximum
Door Height	1981mm	2916mm
Overall Height	2065mm	3000mm

## Polar 30

### COMPONENT KEY:

1	342 FOAM
2	SUITABLE STRUCTURAL FIXING
3	K30HT
4	SJ20
5	SJ69
6	K30DF
7	K54DS
8	44mm SONIK DOOR

### NOTES:

OTHER IRONMONGERY OPTIONS ARE AVAILABLE

REFER TO SONIK DOOR DESIGN GUIDE FOR MORE INFORMATION

ALL DIMENSIONS ARE NOMINAL & IN mm

### JUNCTION CATEGORY:

-  Single Glazed
-  Vertical Door Full Height Sonik
-  0 min Integrity  
0 min Insulation
-  +/- 0 mm Deflection

DRAWING NO:  
K30-VD-04

DATE:  
11/03/20

SCALE:  
1:2

ISSUE NO:  
2

## Polar 30

COMPONENT KEY:

1	10-14.8mm (CFT or A/Lam) GLASS
2	K30DF
3	K54DS
4	44mm SONIK DOOR
5	SJ20

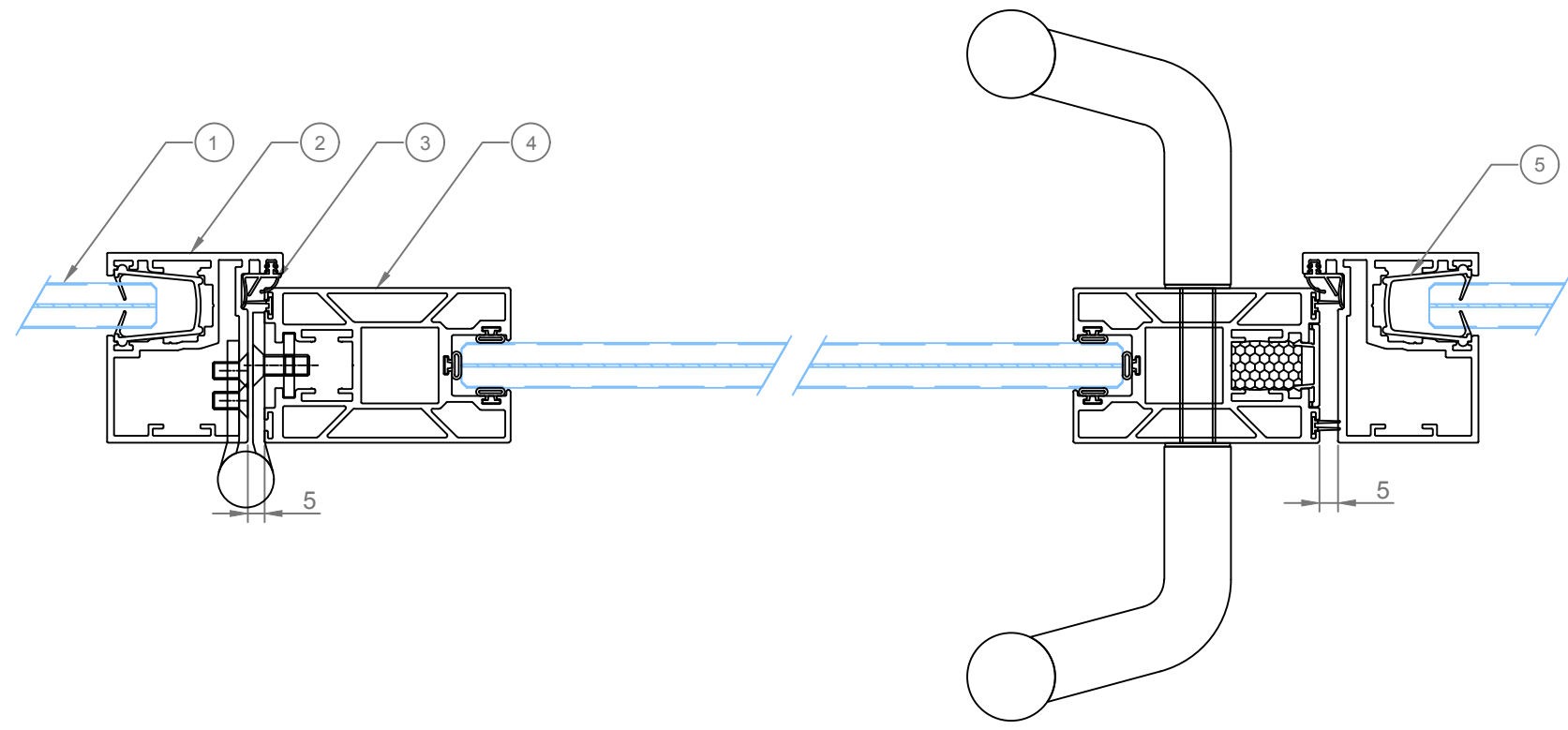
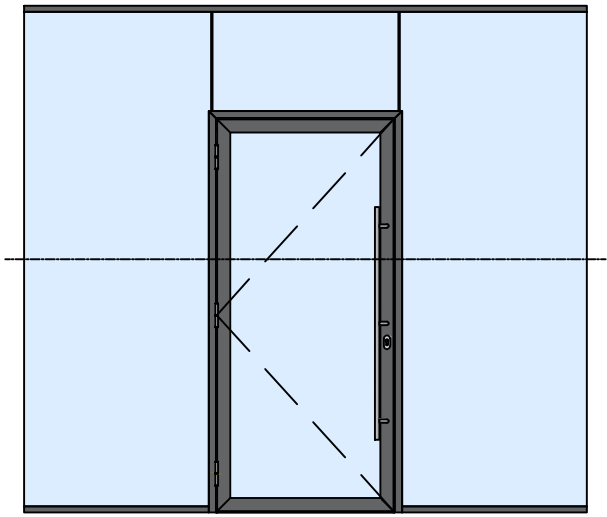
NOTES:  
 OTHER IRONMONGERY OPTIONS ARE AVAILABLE  
 REFER TO SONIK DOOR DESIGN GUIDE FOR MORE INFORMATION  
 ALL DIMENSIONS ARE NOMINAL & IN mm

JUNCTION CATEGORY:

-  Single Glazed
-  Horizontal Door Sonik Single Doorset
-  0 min Integrity  
0 min Insulation
-  +/- 0 mm Deflection

DRAWING NO: K30-HD-01      DATE: 30/07/19

SCALE: 1:2      ISSUE NO: 1



## Polar 30

COMPONENT KEY:

1	10-14.8mm (CFT or A/Lam) GLASS
2	K30DF
3	K54DS
4	44mm SONIK DOOR
5	SJ20

NOTES:

OTHER IRONMONGERY OPTIONS ARE AVAILABLE

REFER TO SONIK DOOR DESIGN GUIDE FOR MORE INFORMATION

ALL DIMENSIONS ARE NOMINAL & IN mm

JUNCTION CATEGORY:

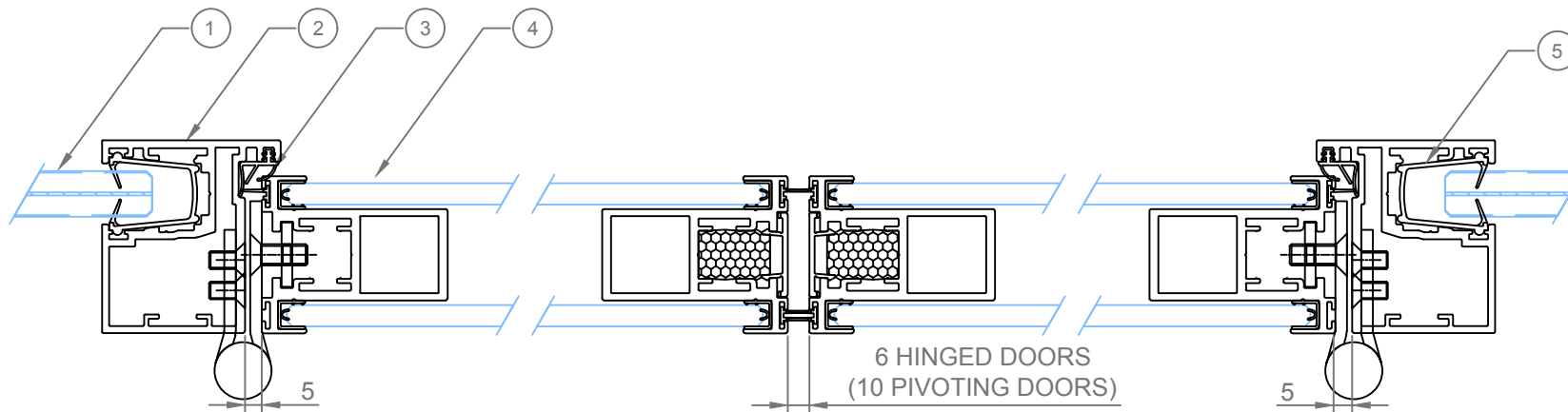
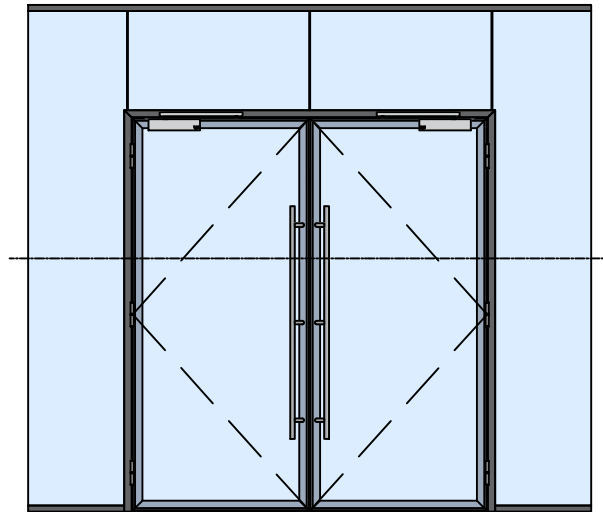
-  Single Glazed
-  Horizontal Door Sonik Double Doorset
-  0 min Integrity  
0 min Insulation
-  +/- 0 mm Deflection

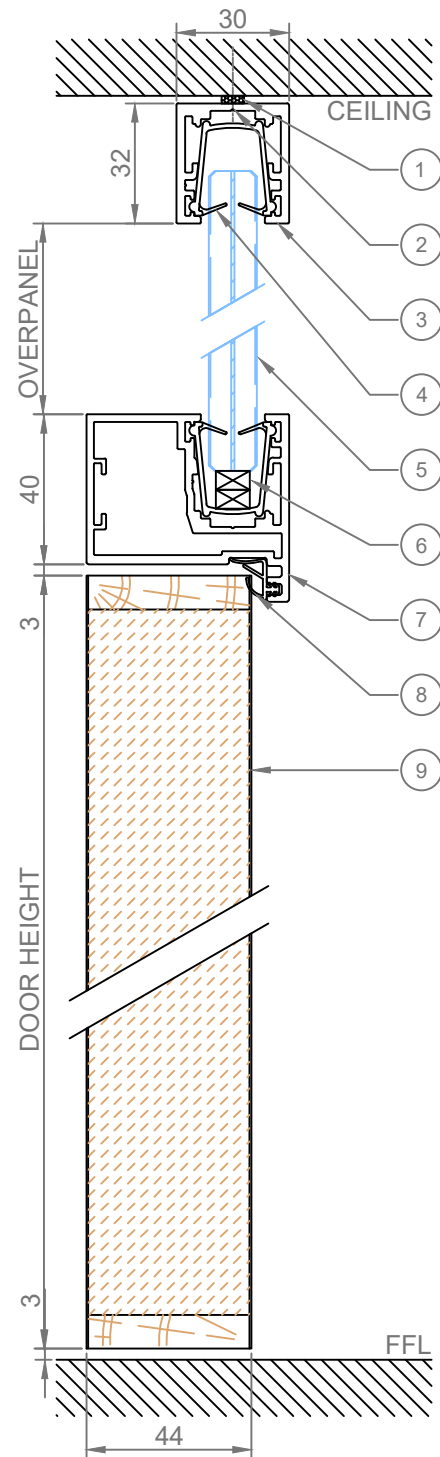
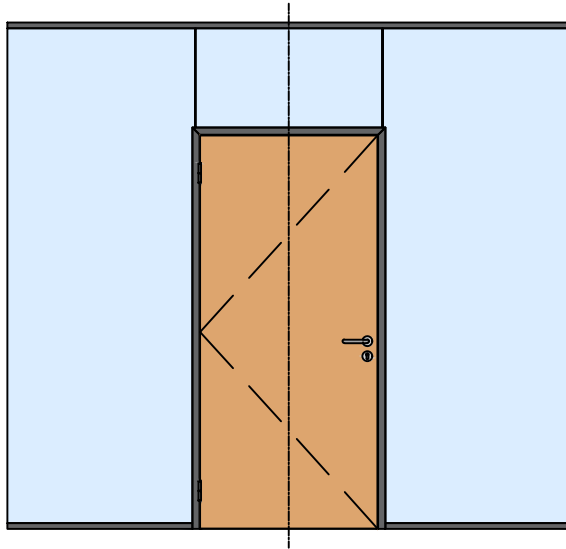
DRAWING NO:  
K30-HD-04

DATE:  
30/07/19

SCALE:  
1:2

ISSUE NO:  
1





Maximum overpanel height is based on it being no more than 25% of the actual door height.

	Minimum	Maximum
Overpanel Height	200mm	585mm
Door Height	1981mm	To Suit
Overall Height	2259mm	3000mm

## Polar 30

### COMPONENT KEY:




1	342 FOAM
2	SUITABLE STRUCTURAL FIXING
3	K30HT
4	SJ20
5	10-14.8mm (CFT or A/Lam) GLASS
6	PSUN PACKERS
7	K30DF
8	K54DS
9	44mm TIMBER DOOR

### NOTES:

OTHER IRONMONGERY OPTIONS ARE AVAILABLE

ALL DIMENSIONS ARE NOMINAL & IN mm

### JUNCTION CATEGORY:

-  Single Glazed
-  Vertical Door  
Timber with Over Panel
-  0 min Integrity  
0 min Insulation
-  +/- 0 mm  
Deflection

DRAWING NO: K30-VD-02      DATE: 11/03/20

SCALE: 1:2      ISSUE NO: 2



## Polar 30

COMPONENT KEY:

1	342 FOAM
2	SUITABLE STRUCTURAL FIXING
3	K30HT
4	SJ20
5	SJ69
6	K30DF
7	K54DS
8	44mm TIMBER DOOR

NOTES:

OTHER IRONMONGERY OPTIONS ARE AVAILABLE

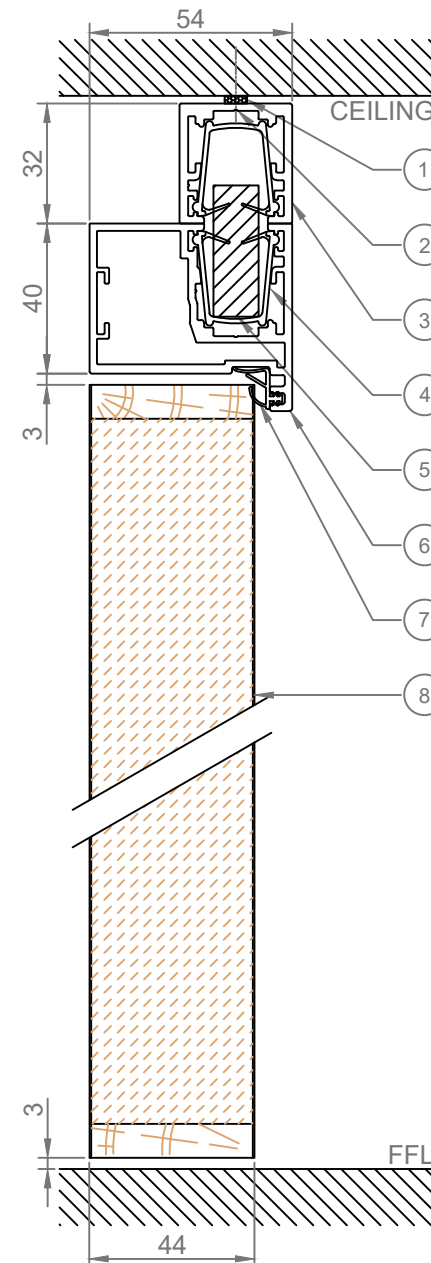
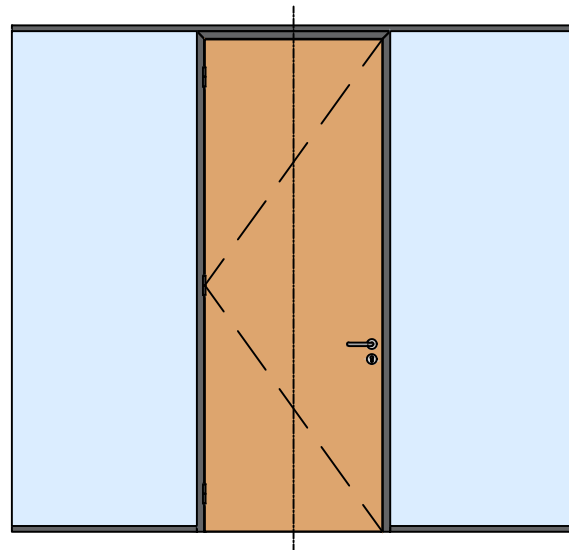
ALL DIMENSIONS ARE NOMINAL & IN mm

JUNCTION CATEGORY:

-  Single Glazed
-  Vertical Door Full Height Timber
-  0 min Integrity  
0 min Insulation
-  +/- 0 mm Deflection

DRAWING NO: K30-VD-05      DATE: 11/03/20

SCALE: 1:2      ISSUE NO: 2



Door Height Parameters		
	Minimum	Maximum
Door Height	1981mm	2922mm
Overall Height	2059mm	3000mm

## Polar 30

### COMPONENT KEY:

1	342 FOAM
2	SUITABLE STRUCTURAL FIXING
3	K30HT
4	SJ20
5	SJ69
6	K30DF
7	K54DS
8	44mm TIMBER OVER PANEL
8	44mm TIMBER DOOR

### NOTES:

OTHER IRONMONGERY OPTIONS ARE AVAILABLE

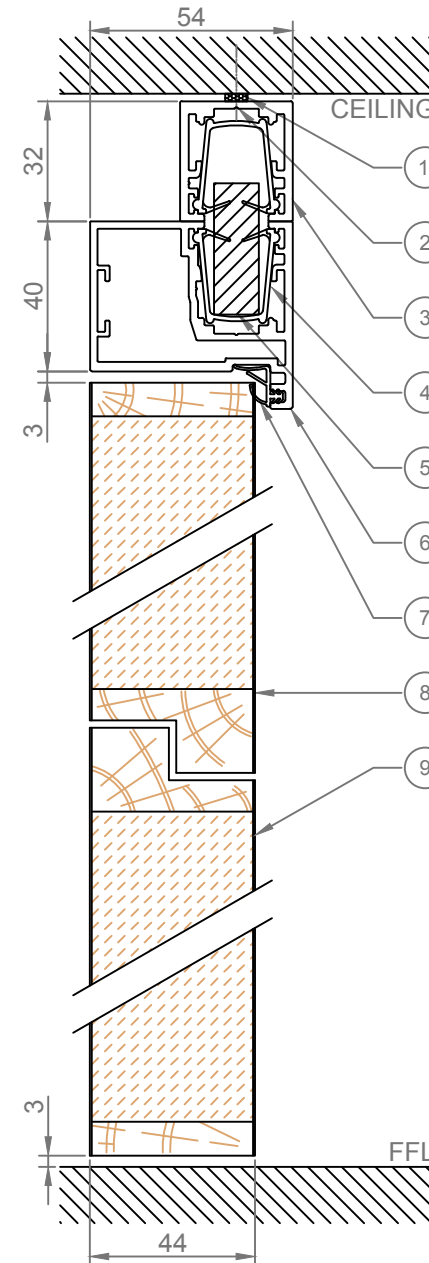
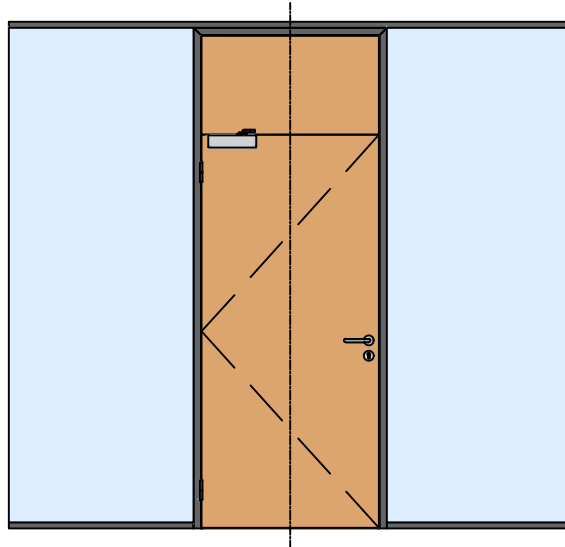
ALL DIMENSIONS ARE NOMINAL & IN mm

### JUNCTION CATEGORY:

-  Single Glazed
-  Vertical Door  
Timber with Over Panel
-  0 min Integrity  
0 min Insulation
-  +/- 0 mm  
Deflection

DRAWING NO: K30-VD-10      DATE: 03/11/19

SCALE: 1:2      ISSUE NO: 1



Maximum overpanel height is based on it being no more than 25% of the actual door height.

	Minimum	Maximum
Overpanel Height	200mm	600mm
Door Height	1981mm	2400mm
Overall Height	2300mm	3000mm

## Polar 30

COMPONENT KEY:

1	10-14.8mm (CFT or A/Lam) GLASS
2	K30DF
3	K54DS
4	44mm TIMBER DOOR
5	SJ20

NOTES:

OTHER IRONMONGERY OPTIONS ARE AVAILABLE

ALL DIMENSIONS ARE NOMINAL & IN mm

JUNCTION CATEGORY:

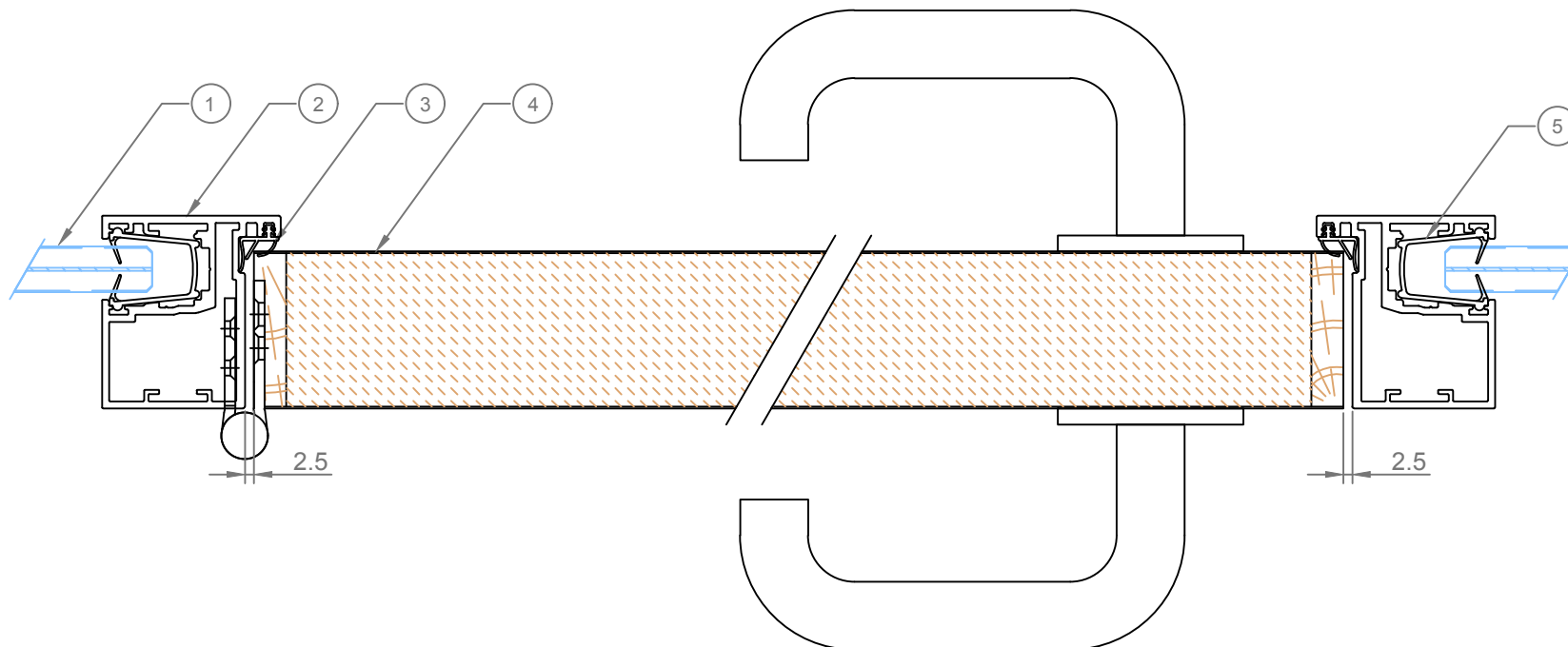
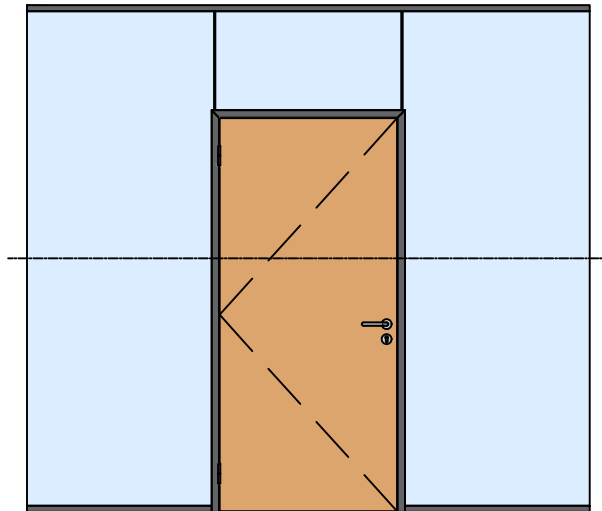
-  Single Glazed
-  Horizontal Door  
Timber Single Doorset
-  0 min Integrity  
0 min Insulation
-  +/- 0 mm  
Deflection

DRAWING NO:  
K30-HD-02

DATE:  
30/07/19

SCALE:  
1:2

ISSUE NO:  
1



## Polar 30

COMPONENT KEY:

1	10-14.8mm (CFT or A/Lam) GLASS
2	K30DF
3	K54DS
4	44mm TIMBER DOOR
5	SJ20

NOTES:

OTHER IRONMONGERY OPTIONS ARE AVAILABLE

ALL DIMENSIONS ARE NOMINAL & IN mm

JUNCTION CATEGORY:

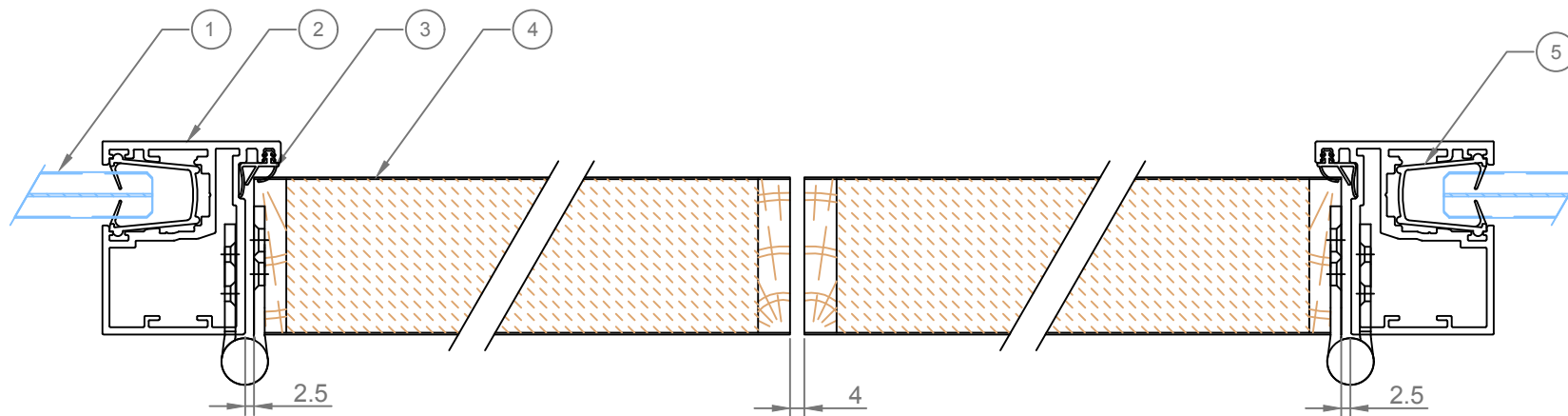
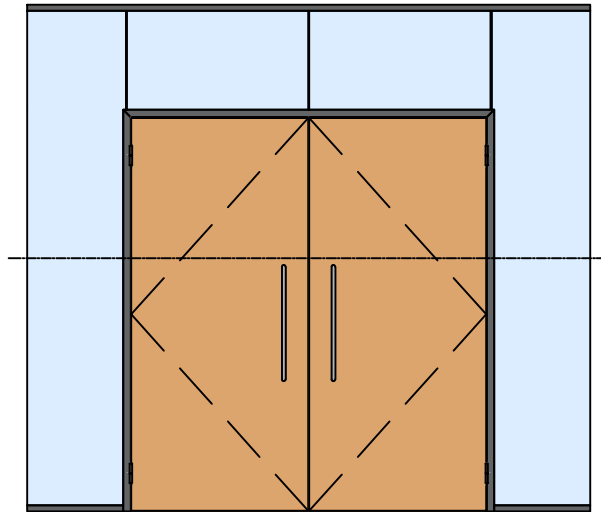
-  Single Glazed
-  Horizontal Door  
Timber Double Doorset
-  0 min Integrity  
0 min Insulation
-  +/- 0 mm  
Deflection

DRAWING NO:  
K30-HD-05

DATE:  
30/07/19

SCALE:  
1:2

ISSUE NO:  
1





## Polar 30

COMPONENT KEY:





1	342 FOAM
2	SUITABLE STRUCTURAL FIXING
3	K30HT
4	SJ20
5	SJ69
6	K30DF
7	K54DS
8	10-12mm CFT GLASS DOOR

NOTES:

OTHER IRONMONGERY OPTIONS ARE AVAILABLE

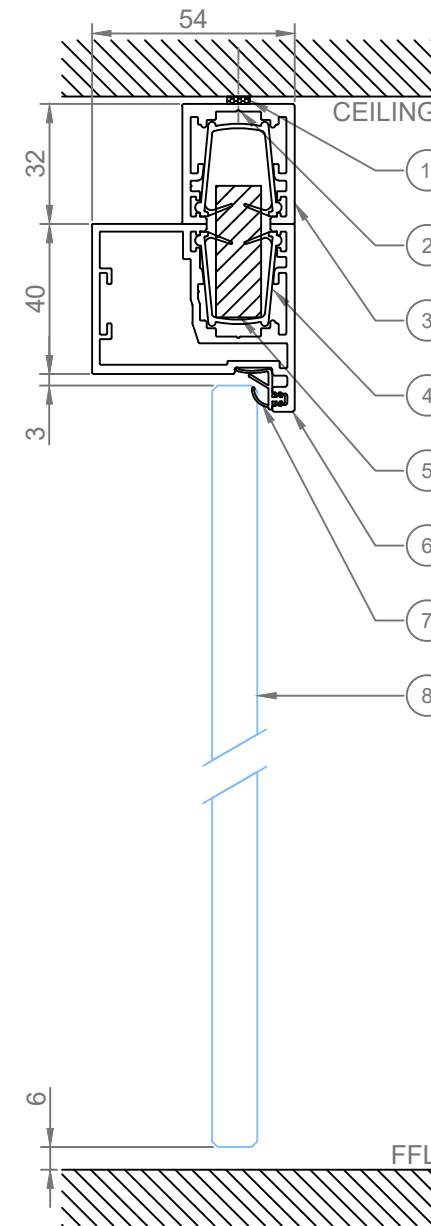
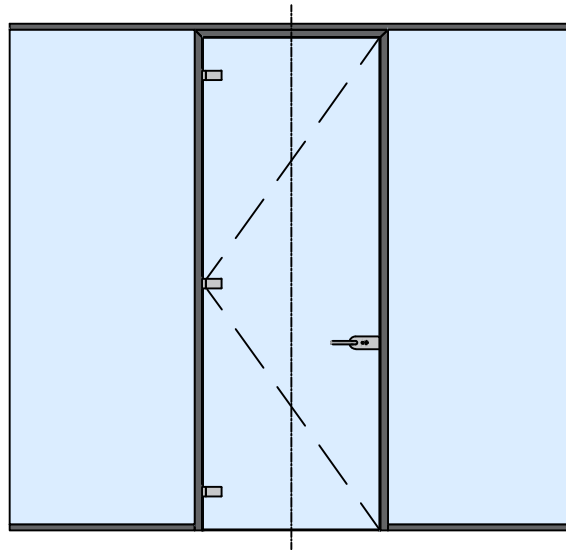
ALL DIMENSIONS ARE NOMINAL & IN mm

JUNCTION CATEGORY:

-  Single Glazed
-  Vertical Door Full Height Glass
-  0 min Integrity  
0 min Insulation
-  +/- 0 mm Deflection

DRAWING NO: K30-VD-06      DATE: 11/03/20

SCALE: 1:2      ISSUE NO: 2



Door Height Parameters

	Minimum	Maximum
Door Height	1981mm	2919mm
Overall Height	2062mm	3000mm

## Polar 30

COMPONENT KEY:

1	342 FOAM
2	SUITABLE STRUCTURAL FIXING
3	K30HT
4	K54GI
5	10-12mm CFT GLASS DOOR

NOTES:

OTHER IRONMONGERY OPTIONS ARE AVAILABLE

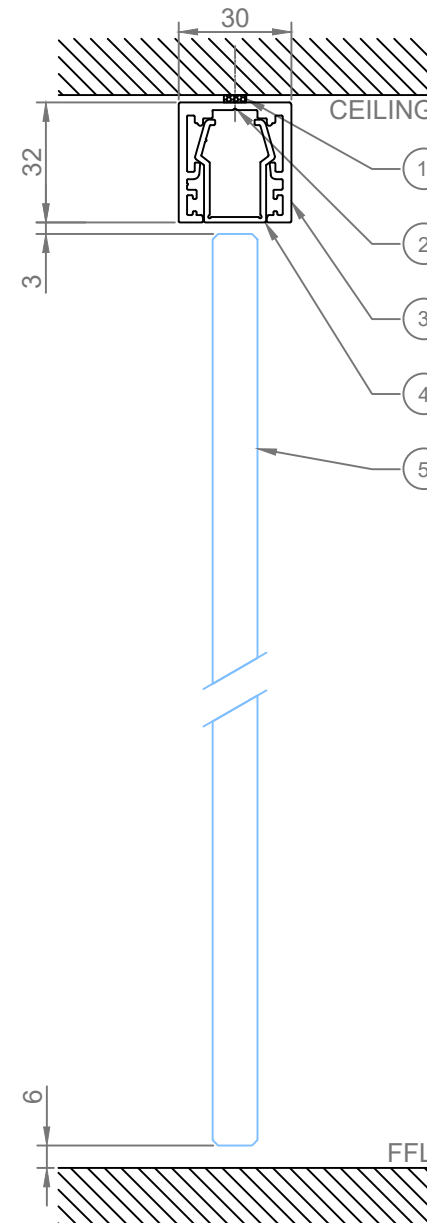
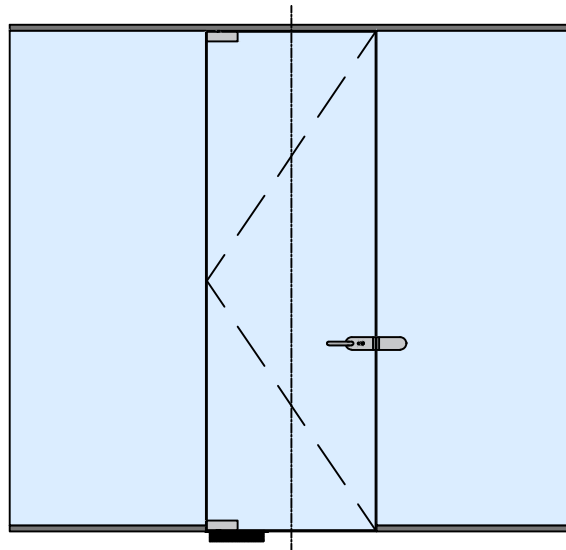
ALL DIMENSIONS ARE NOMINAL & IN mm

JUNCTION CATEGORY:

-  Single Glazed
-  Vertical Door Full Height Frameless
-  0 min Integrity  
0 min Insulation
-  +/- 0 mm Deflection

DRAWING NO: K30-VD-07      DATE: 11/03/20

SCALE: 1:2      ISSUE NO: 2



Door Height Parameters		
	Minimum	Maximum
Door Height	1981mm	2959mm
Overall Height	2062mm	3000mm

## Polar 30

COMPONENT KEY:

1	10-14.8mm (CFT or A/Lam) GLASS
2	K30DF
3	K54DS
4	10-12mm CFT GLASS DOOR
5	SJ20

NOTES:

OTHER IRONMONGERY OPTIONS ARE AVAILABLE

ALL DIMENSIONS ARE NOMINAL & IN mm

JUNCTION CATEGORY:

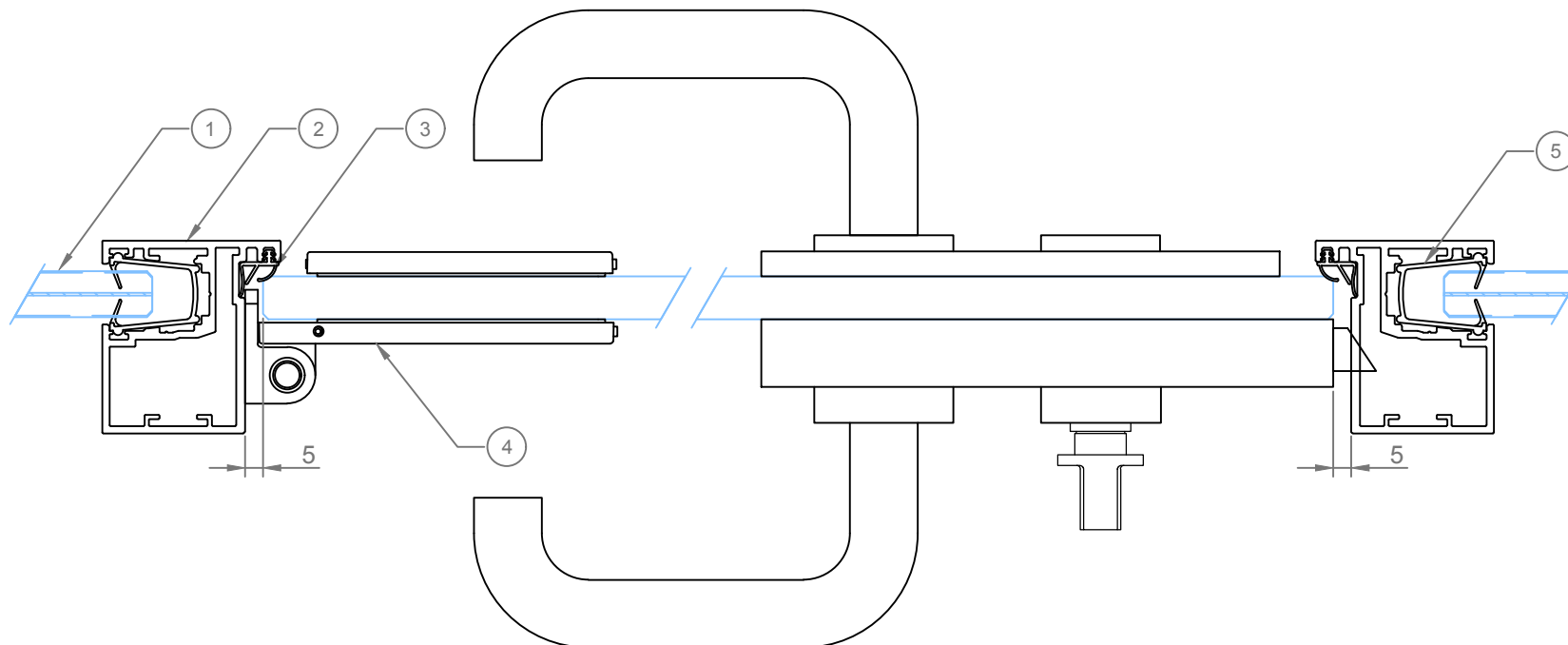
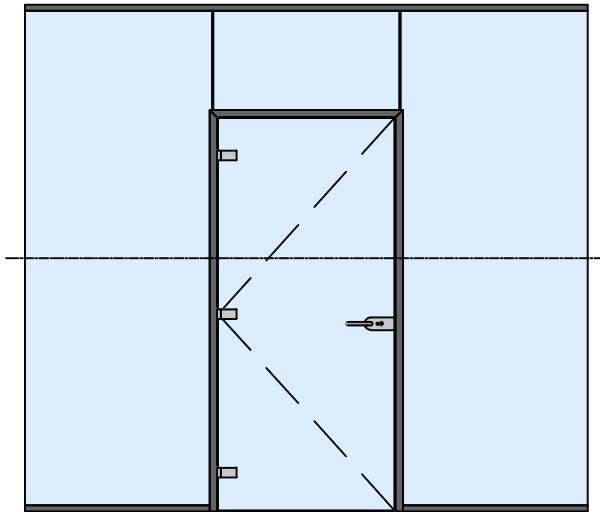
-  Single Glazed
-  Horizontal Door Glass Single Doorset
-  0 min Integrity  
0 min Insulation
-  +/- 0 mm Deflection

DRAWING NO:  
K30-HD-03

DATE:  
30/07/19

SCALE:  
1:2

ISSUE NO:  
1





## Polar 30

COMPONENT KEY:

1	10-14.8mm (CFT or A/Lam) GLASS
2	K30DF
3	K54DS
4	10-12mm CFT GLASS DOOR
5	SJ20

NOTES:

OTHER IRONMONGERY OPTIONS ARE AVAILABLE

ALL DIMENSIONS ARE NOMINAL & IN mm

JUNCTION CATEGORY:

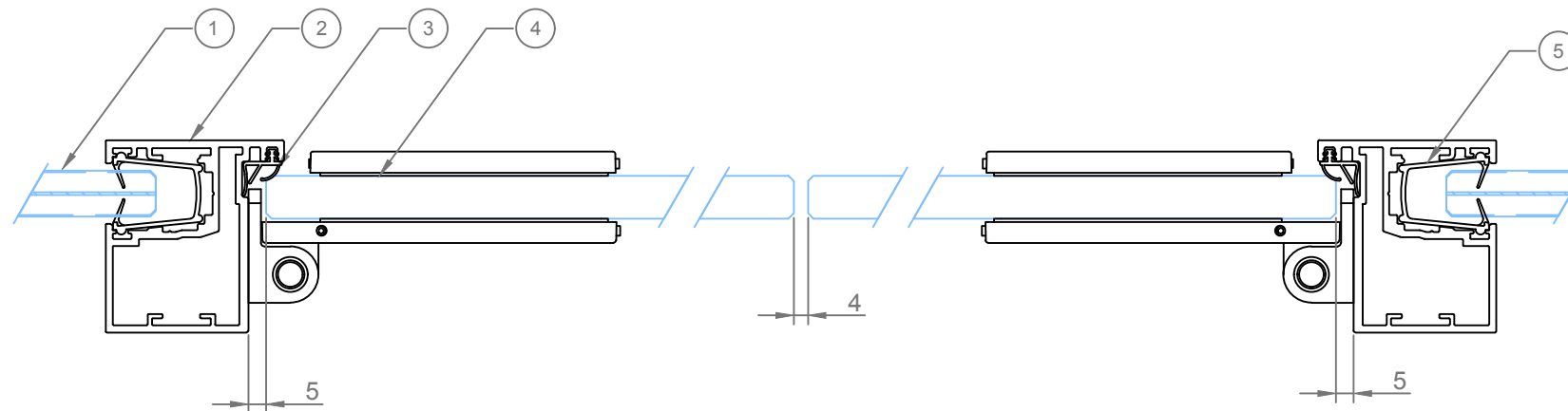
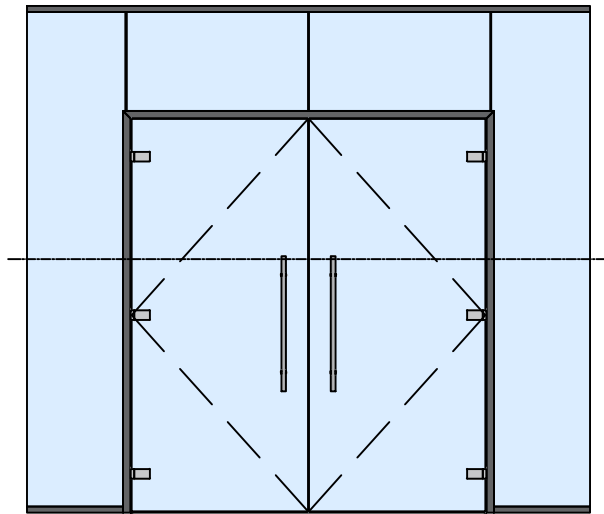
-  Single Glazed
-  Horizontal Door Glass Double Doorset
-  0 min Integrity  
0 min Insulation
-  +/- 0 mm Deflection

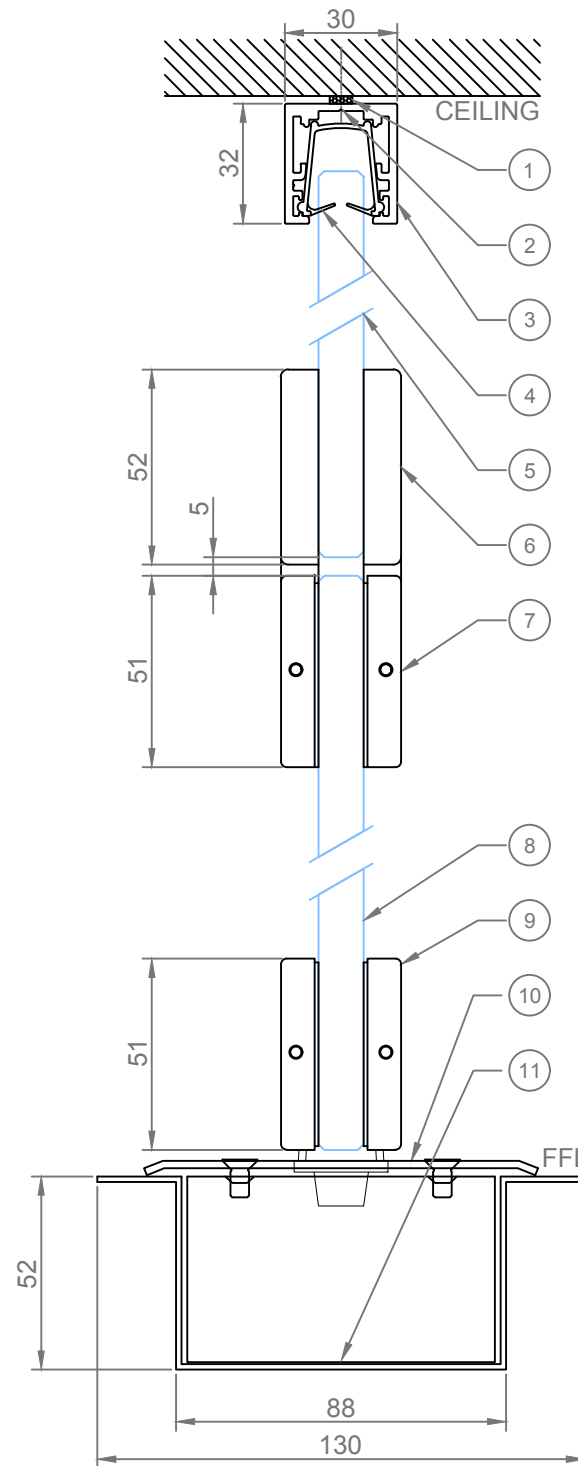
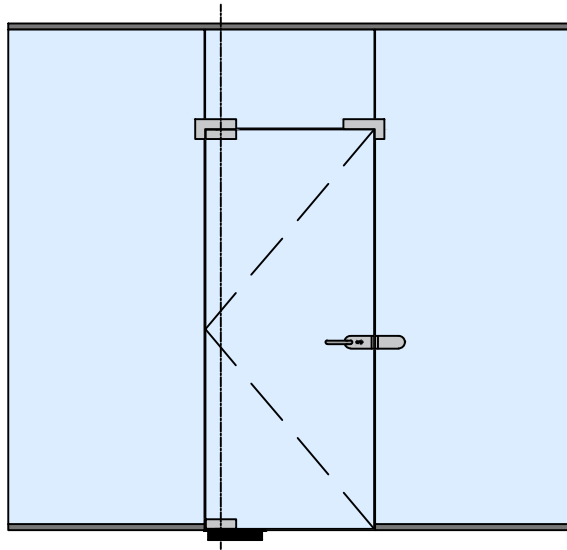
DRAWING NO:  
K30-HD-06

DATE:  
30/07/19

SCALE:  
1:2

ISSUE NO:  
1





Maximum overpanel height is based on it being no more than 25% of the actual door height.

	Minimum	Maximum
Overpanel Height	200mm	600mm
Door Height	1981mm	2400mm
Overall Height	2300mm	3000mm

## Polar 30

COMPONENT KEY:

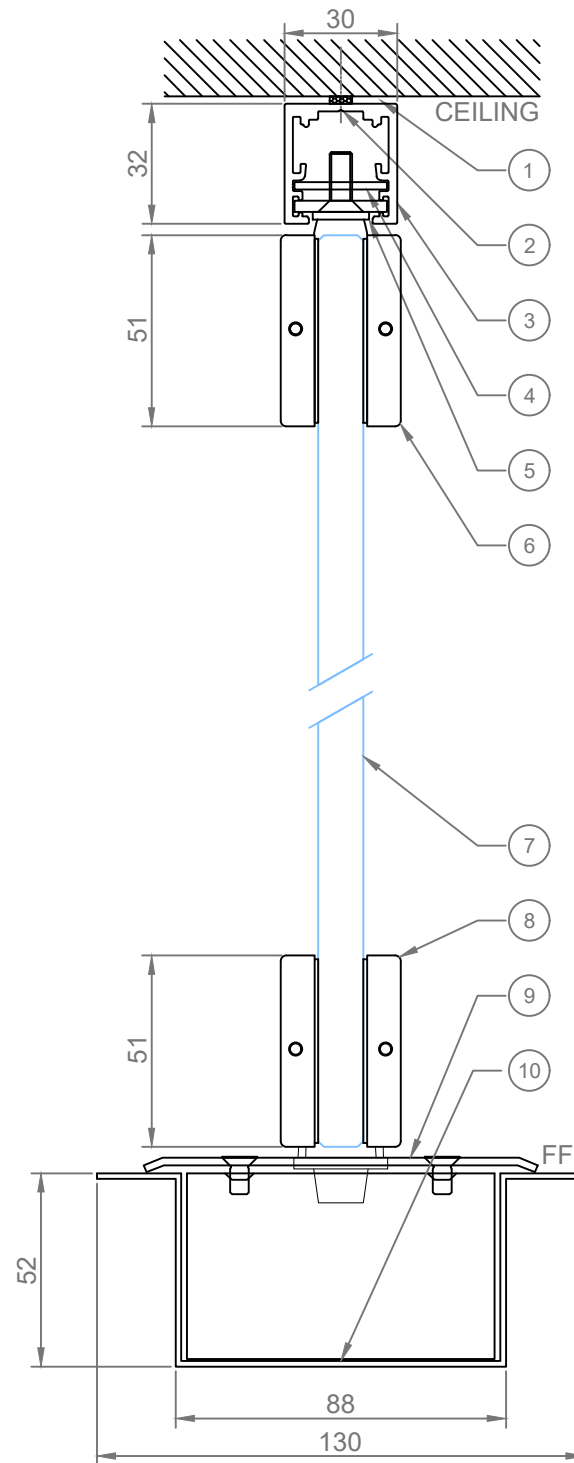
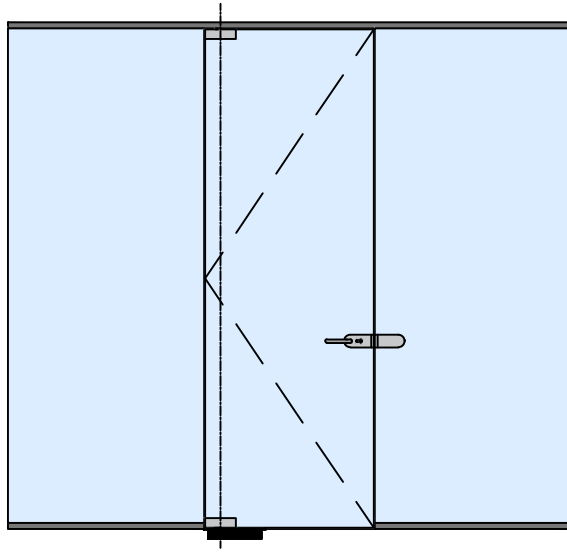
1	342 FOAM
2	SUITABLE STRUCTURAL FIXING
3	K30HT
4	SJ20
5	10-12mm CFT GLASS
6	K40PV PATCH FITTING
7	K20 PATCH HINGE
8	10-12mm CFT GLASS DOOR
9	K20 PATCH HINGE
10	BTS75 FLOOR BOX
11	COFFER75 COFFER BOX

NOTES:  
OTHER IRONMONGERY OPTIONS ARE AVAILABLE  
ALL DIMENSIONS ARE NOMINAL & IN mm

- JUNCTION CATEGORY:
- Single Glazed
  - Vertical Door Glass with Over Panel
  - 0 min Integrity  
0 min Insulation
  - 0 mm Deflection

DRAWING NO: K30-VD-09  
SCALE: 1:2

DATE: 03/11/19  
ISSUE NO: 1



Door Height Parameters		
	Minimum	Maximum
Door Height	1981mm	2958mm
Overall Height	2023mm	3000mm

## Polar 30

COMPONENT KEY:

1	342 FOAM
2	SUITABLE STRUCTURAL FIXING
3	K30HT
4	K30PHP
5	SJ22
6	K20 PATCH HINGE
7	10-12mm CFT GLASS DOOR
8	K20 PATCH HINGE
9	BTS75 FLOOR BOX
10	COFFER75 COFFER BOX

NOTES:

OTHER IRONMONGERY OPTIONS ARE AVAILABLE

ALL DIMENSIONS ARE NOMINAL & IN mm

JUNCTION CATEGORY:

- Single Glazed
- Vertical Door Full Height Frameless
- 0 min Integrity  
0 min Insulation
- +/- 0 mm Deflection

DRAWING NO: K30-VD-08      DATE: 11/03/20

SCALE: 1:2      ISSUE NO: 2

## Polar 30

COMPONENT KEY:

1	10-12mm CFT GLASS
2	K10 PATCH HINGE
3	BTS75 FLOOR SPRING
4	COFFER75 COFFER BOX
5	10-12mm CFT GLASS DOOR
6	K750 LEVER SET
7	K310 PATCH LOCK SET
8	G918 EURO CYLINDER
9	K527 15mm STRIKE BOX

NOTES:

OTHER IRONMONGERY OPTIONS ARE AVAILABLE

ALL DIMENSIONS ARE NOMINAL & IN mm

JUNCTION CATEGORY:

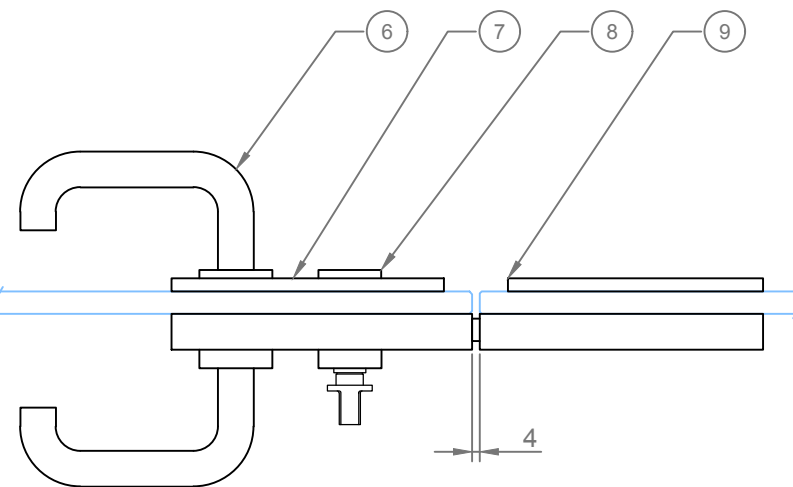
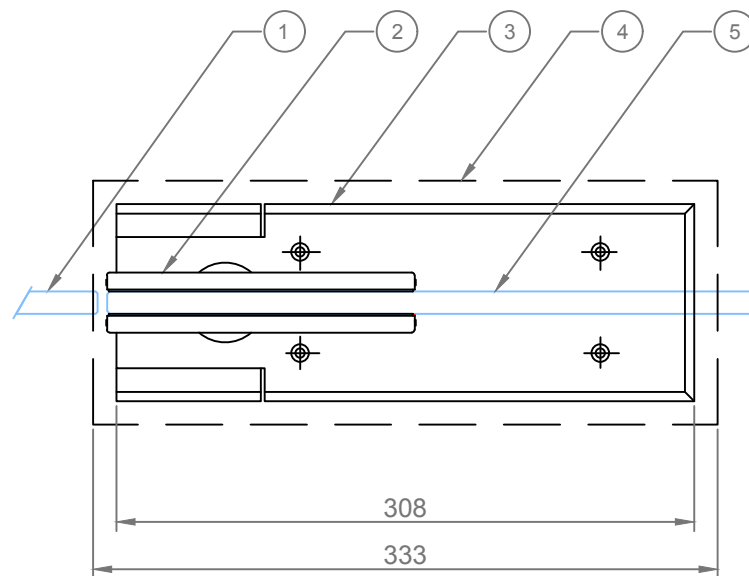
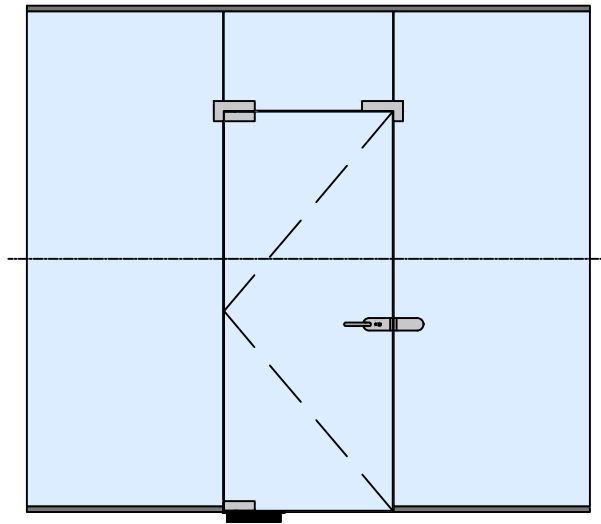
-  Single Glazed
-  Horizontal Door Framless Single Door
-  0 min Integrity  
0 min Insulation
-  +/- 0 mm  
Deflection

DRAWING NO:  
K30-HD-07

DATE:  
03/12/19

SCALE:  
1:2

ISSUE NO:  
1



## Polar 30

COMPONENT KEY:

1	10-12mm CFT GLASS
2	K10 PATCH HINGE
3	BTS75 FLOOR SPRING
4	COFFER75 COFFER BOX
5	10-12mm CFT GLASS DOOR
6	K750 LEVER SET
7	K310 PATCH LOCK SET
8	G918 EURO CYLINDER
9	K527 15mm STRIKE BOX

NOTES:

OTHER IRONMONGERY OPTIONS ARE AVAILABLE

ALL DIMENSIONS ARE NOMINAL & IN mm

JUNCTION CATEGORY:

-  Single Glazed
-  Horizontal Door Framless Double Door
-  0 min Integrity  
0 min Insulation
-  +/- 0 mm Deflection

DRAWING NO:  
K30-HD-08

DATE:  
03/12/19

SCALE:  
1:2

ISSUE NO:  
1

