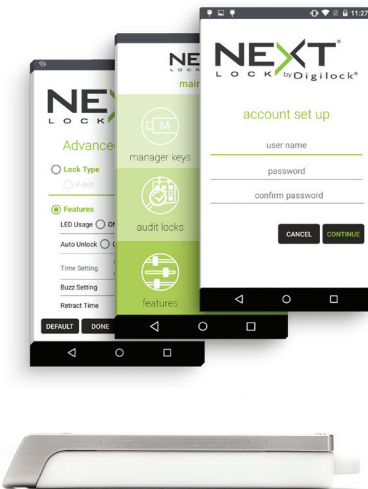
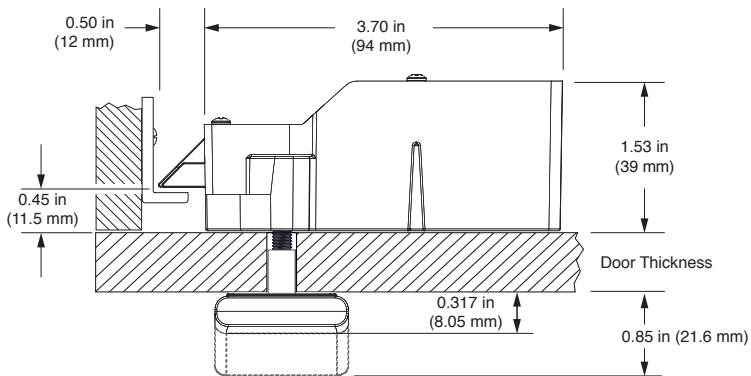


- Touch RFID operation
- RFID standards - iClass and Mifare (13.56 MHz)  
ISO 14443A • ISO 14443B • ISO 15693
- All metal housing
- Slim 5/16" (8mm) profile
- IP55 rated
- Standard, vertical, or horizontal body style
- With or without pull handle
- Brushed nickel or black finish
- Visual & audible indicators
- Manage with electronic keys or mobile device
- Programmable auto unlock
- Customizable settings
- Built-in audit trail
- 3-5 year battery life
- Powered by 4 premium AA batteries
- Up to 5 year warranty

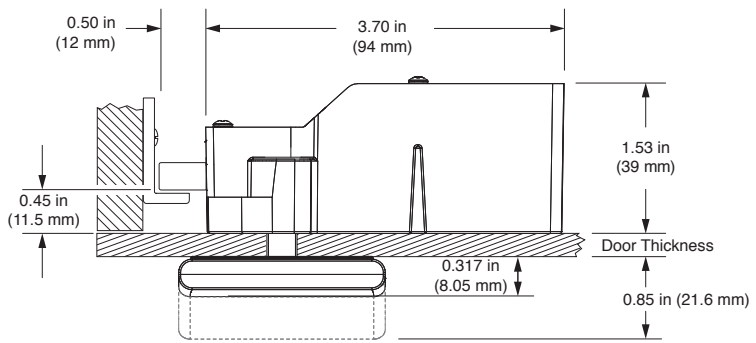


- Patented snap-lock cable connector
- Simple installation for new or retrofit applications
- Non-handed
- Adapts to multiple door thickness
- 1/2" (12mm) motorized deadbolt or deadlatch

Top View

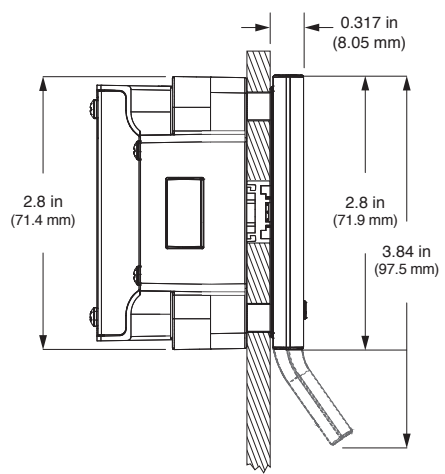
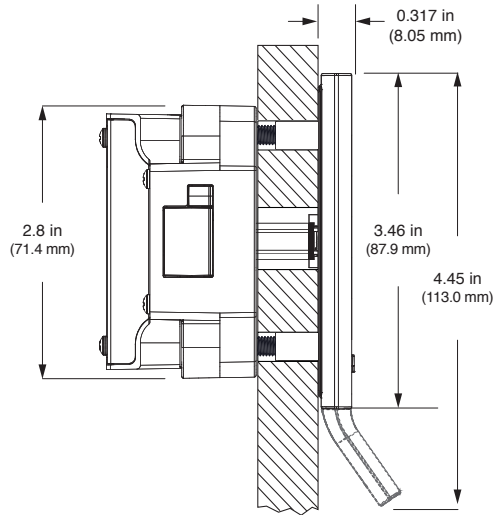


Shown with a deadlatch mechanism.

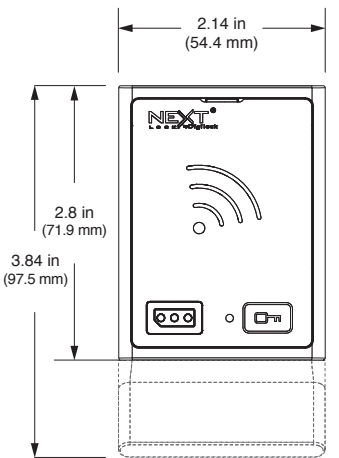
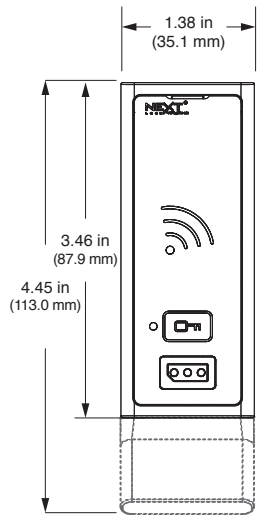


Shown with a deadbolt mechanism.

Side View



Front View



Touch RFID Front & Rear Units



Touch RFID locks with a pull handle and operated with a User Key are fully compliant with the Americans with Disabilities Act (ADA) guidelines set by the U.S. Access Board.

