

FIRE RATED SCREENS & DOORS



allied.ie
firescreens@allied.ie



Index

INTRODUCTION P3

FULLY TESTED & CERTIFIED P4

FORSTER P5

PYROSTYLE P10

SCHÜCO P14

CASE STUDIES P19

Introduction

Allied have been designing and installing fire rated screens and doors for over a quarter of a century on some of the most iconic buildings and demanding specifications throughout Ireland, UK and Europe.

We offer a complete range of firescreen systems to fulfil the required Fire and Acoustic performances for architectural designs from E30 Integrity only up to EI120 Integrity Insulation, enabling architects and specifiers to obtain all of their fire screen requirements from a single source.

Allied is committed to remaining at the forefront of fire safety. Our staff are fully trained on the most up to date fire rated products, constantly innovating and implementing new technologies. Over our 25 year history we have worked on some of the largest and most complex projects in Ireland, including:

- LinkedIn Headquarters, Wilton Park.
- AIB Corporate Headquarters, Molesworth Street.
- Dublin Landings, North Wall Quay.
- RCSI, York Street.
- UCD Health Sciences Complex, Belfield Campus.
- Bank of Ireland Headquarters, Baggot Plaza.
- Amazon EMEA Headquarters, Burlington Road.
- Goethe Institut, Merrion Square.
- Google EMEA Headquarters, Boland's Mills.



Fully Tested & Certified Systems

When specifying a fire rated glazing system, both the framing and the glass must be taken into consideration. With fire rated glazing you cannot deviate away from what has been tested and certified. It is imperative that the fire rating classifications are paid strict attention to as this is the test evidence that demonstrates the ability of each system. Allied's fire rated Screens & Doors are fully compliant with the latest Building Regulations while maintaining maximum design appeal.

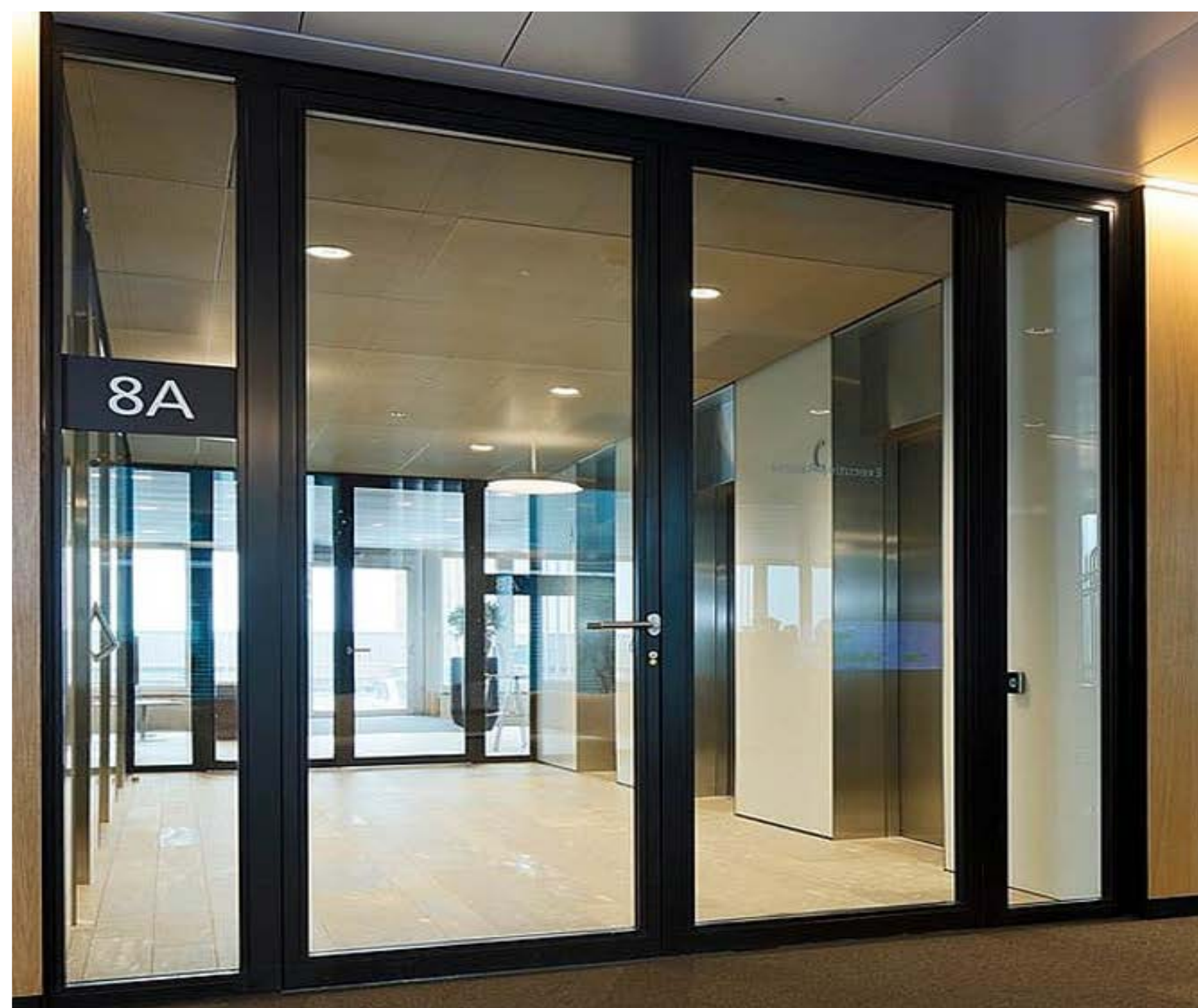
There are two options for fire ratings: 'Integrity Only' or 'Integrity and Insulation'.

INTEGRITY: The first numerical value of the fire rating refers to the level of integrity the product offers. Integrity performance works to prevent the passage of fire, including flames and flammable gases, but not heat. Integrity is denoted with the symbol 'E'.

INSULATION: The second numerical value of the fire rating refers to the level of insulation the product offers. This means to what degree the products protect against the passage of fire and heat. Insulation is denoted with the symbol 'I'.



CPD Courses available



FORSTER

Forster - Fuego Light

Forster Fuego Light is the reliable profile system for fire protection.

The flush doors are constructed around a narrow steel frame with a large glass area that guarantees maximum transparency, a sleek appearance and reliable security. In addition to fire doors and glazed fire screens other available systems are tested like fire protection sliding doors, with and without escape route function, doors with finger guard and flush reverse sheet metal frame doors. The system offers a wide range of applications and therefore a high degree of design freedom.

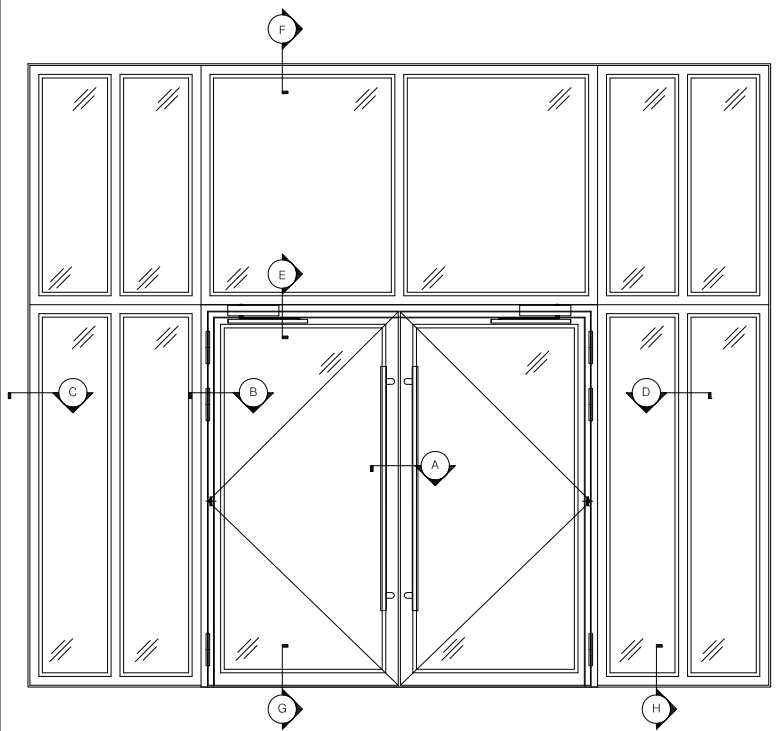
A wide range of tested and approved hardware leaves nothing to be desired.



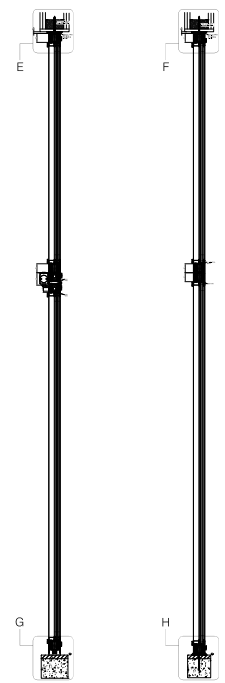
Fire rating available:
EI30, EI60, EI90, EI120



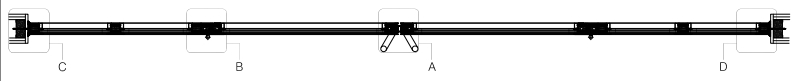
© COPYRIGHT & DESIGN 2022 PROPERTY OF ALLIED IRELAND LIMITED



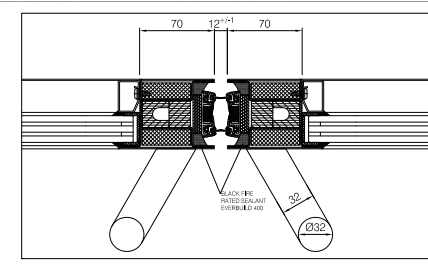
Front Elevation



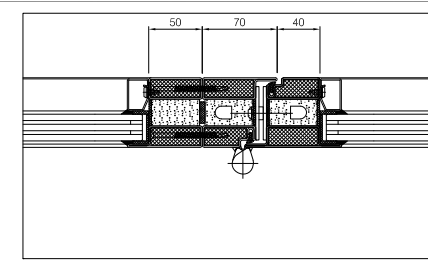
Door Section Screen Section



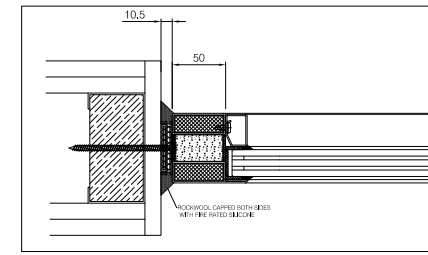
Plan



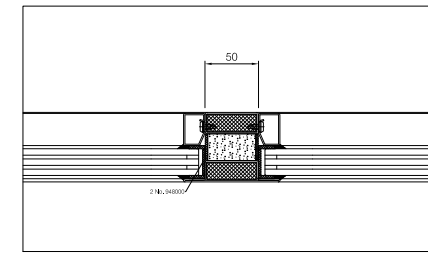
Detail A



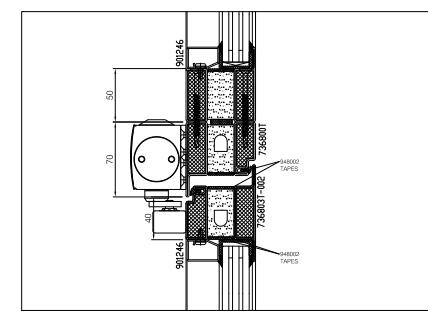
Detail B



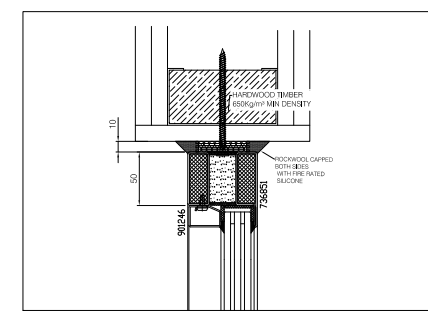
Detail C



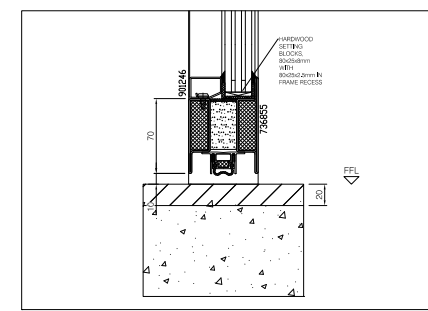
Detail D



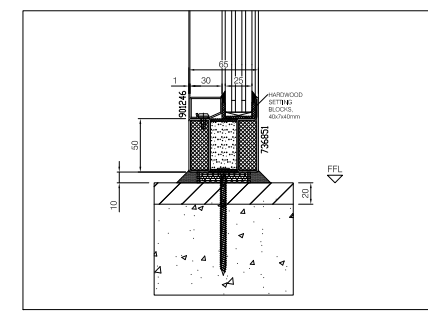
Detail E



Detail F



Detail G



Detail H



Allied Ireland
Unit 24
Tolka Valley Business Park
Ballyboggan Road
Dublin 15
D15Y8XY

WEB: allied.ie
EMAIL: info@allied.ie
TEL: +35318532222
FAX: +35318503013

Rev	DESCRIPTION	DATE	BY

CLIENT		DATE	12/19/22	TITLE	Fire Rated - Forster Fuego-Light E160 System	
ARCHITECT	-	DRAWN	LCAD			
SYSTEM:	Forster Fuego-Light E160	CHKD		DRAWING No		Rev
FINISH	-	SCALE	1/30 @ A3 1/5 Detail		104087/003	-

Fire Rated - Forster Fuego-Light E160 System

Forster - Presto

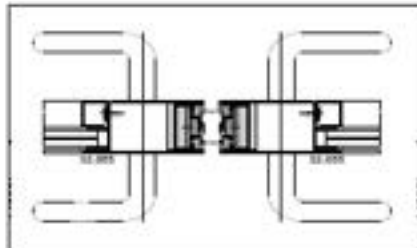
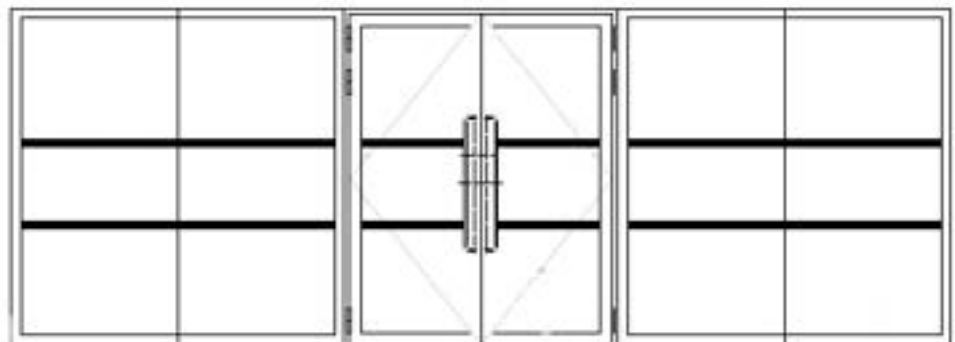
This is the system for flush mounted single or double-leaf doors, windows and glazed closures without thermal break. The system provides an Integrity only solution up to E120

Forster Presto stands for security and safety and meets maximum demands for technical functionality and extreme long-term exposure to stress. The system is suitable for use wherever there are no special thermal insulation requirements. Forster presto is available in stainless steel or powder coated for elegant and ambitious solutions.

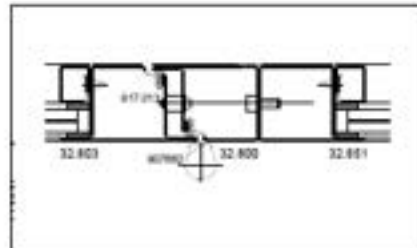
Glazed smoke-resistant doors and screens are versatile, tested and approved. Forster Presto is the complete profile system with fittings and accessories for flush-fitting single and double leaf smoke resistant doors. Fire rated doors and screens are available from E30 to E120.



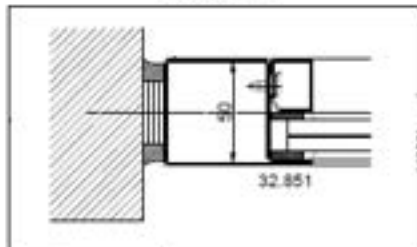
Fire rating available:
E30, E60, E90, E120



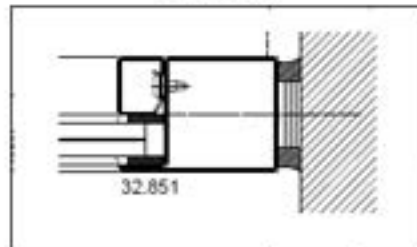
Detail A



Detail B



Detail C



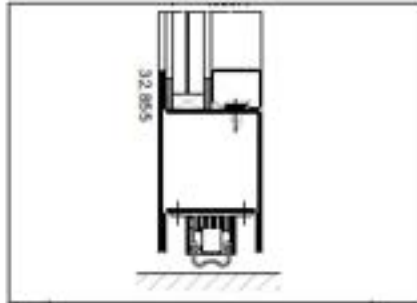
Detail D



Detail E



Detail F



Detail G



Detail H

Fire Rated - Forster Presto E30 System



Allied Ireland
Unit 24
Tolka Valley Business Park
Ballyboggan Road
Dublin 11
D11Y6KY

WEB: allied.ie
EMAIL: info@allied.ie
TEL: +35318532222
FAX: +35318503013

Rev	Description	Date	By

CLIENT		DATE	10/02	TITLE	Fire Rated Forster Presto E30 System	
ARCHITECT	-	DRAWN	LCAD			
SYSTEM	Forster Presto	CHKD		DRAWING No	104087/005	Rev
FINISH	-	SCALE	1/8" @ AS IS Detail			-



PYROSTYLE

Pyrostyle Overview

Pyrostyle fire rated doors and screens bring a distinctive solution to your building. It is unique for its comprehensive fire rated testing of all aspects of the system including electronic hold open floor springs and fully integrated and concealed locking system.

Whatever the commercial application the Pyrostyle system enables you to transform a requirement into an impressive feature by creating multiple screen and entrance combinations and offering unrivalled protection.

With maximum glazed elements and sleek, minimal profiles in stainless steel or mild steel powder coated coloured finish, the Pyrostyle fire door system delivers on aesthetic appeal with zero compromises on fire rated performance.

EN Standards (EN 1634-1: 2000) for unrivalled guaranteed protection

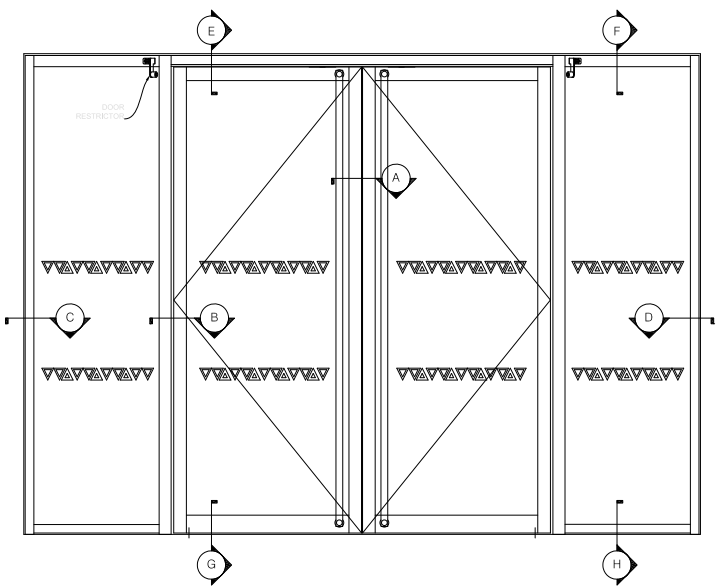


Fire rating available: E30, EI30, E60, EI60

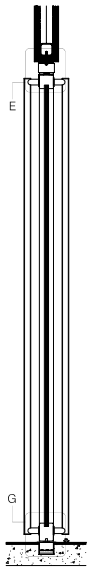
Pyrostyle Key Features

- Compatible with a large range of electronic locking mechanisms housed/concealed in the door frame.
- Flush floor springs with the option to seamlessly integrate electronic hold opens.
- Fire Rated Up to EI60 minutes integrity and insulation.
- E60 doors up to 3130mm high.
- EI60 doors up to 2750mm.
- Sleek-look non-rebated frame enabling double action doors for ultimate flexibility.
- Stainless steel or mild steel powder coated coloured as standard (other special finished available upon request e.g. bronze)
- Ironmongery: full height vertical handles or back-to-back through glass handles for a strikingly different design choice and flexibility.
- Single, double, multiple sets or fixed screens and glazed over panels.
- Certified Fire Rated automated overhead openers
- Acoustically rated up to Rw 43dB
- Certified smoke seals

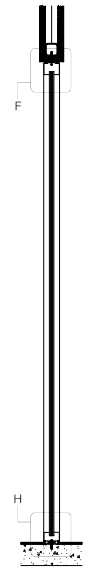
© COPYRIGHT & DESIGN 2022 PROPERTY OF ALLIED IRELAND LIMITED



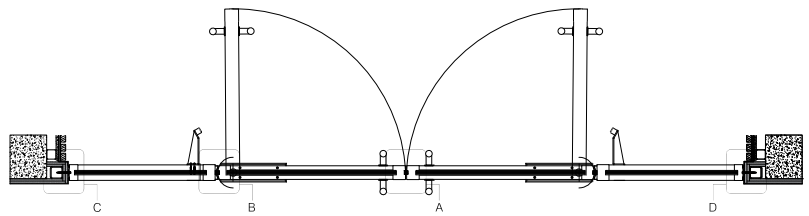
Front Elevation



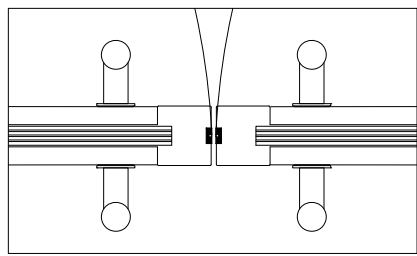
Door Section



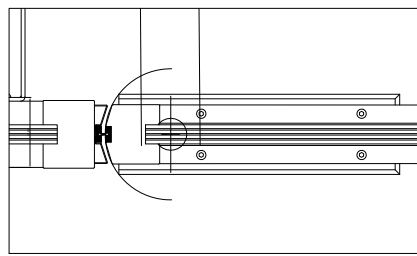
Screen Section



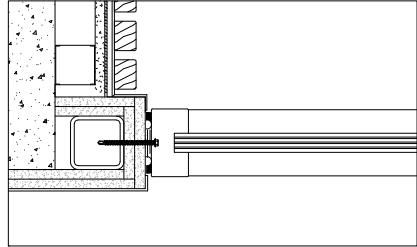
Plan



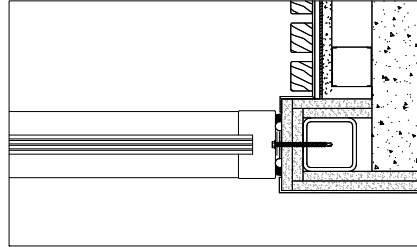
Detail A



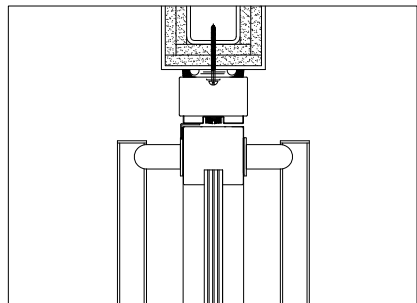
Detail B



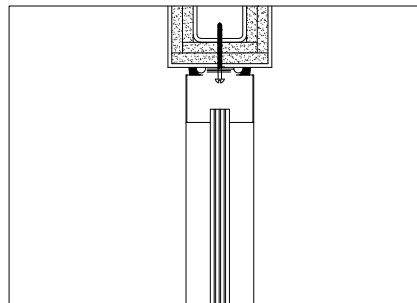
Detail C



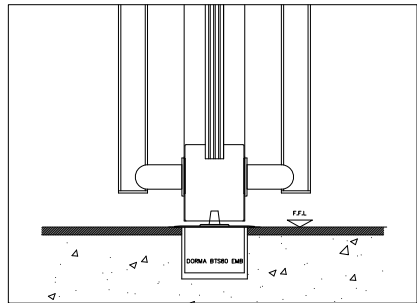
Detail D



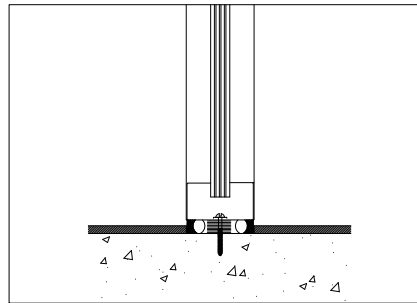
Detail E



Detail F



Detail G



Detail H



Allied Ireland
Unit 24
Tolke Valley Business Park
Ballyboggan Road
Dublin 11
D11Y6XY

WEB: allied.ie
EMAIL: info@allied.ie
TEL: +35318532222
FAX: +35318503013

Rev	DESCRIPTION	DATE	BY

CLIENT		DATE	12/9/22	TITLE	Fire Rated - Pyrostyle EI60 System	
ARCHITECT	-	DRAWN	LCAD			
SYSTEM:	Pyrostyle EI60	CHKD		DRAWING No		Rev
FINISH	-	SCALE	1/20 @ A3 1/7 Detail		104087/002	-

Fire Rated - Pyrostyle EI60 System

SCHÜCO



Schüco Jansen

JANISOL C4

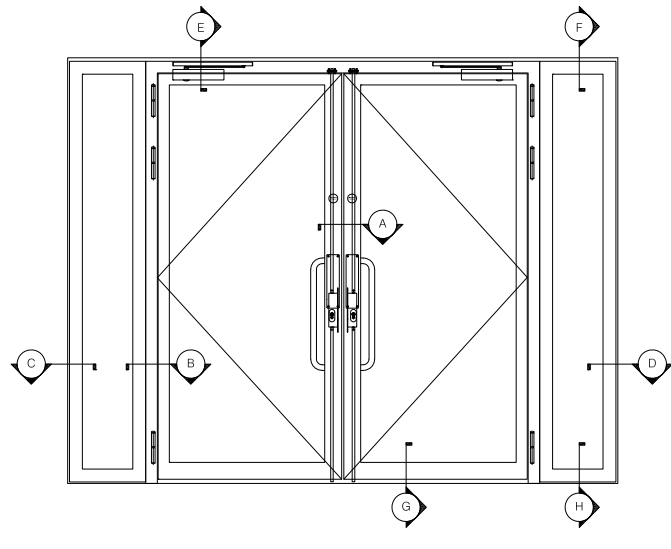
Schüco Jansen has a comprehensive range of unlatched, non-rebated, single-acting steel fire doors which includes screens and partition walls.

Schüco Jansen glazed fire protection systems are used to separate fire compartments and significantly delay the spread of smoke and fire. Thanks to their insulating properties, they counteract an increase in temperature on the side facing away from the fire, which helps to secure the escape routes in stairwells or corridors.

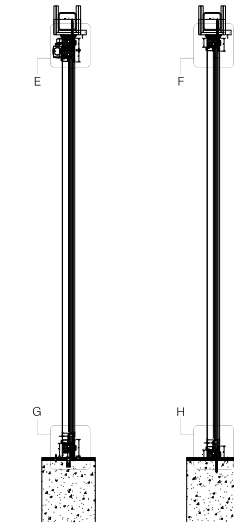
Fire and smoke rated doors and partitions in powder coated galvanised mild steel, elegant 70mm frame depth, transparent building components provided as single or double leaf doors, with side lights and / or toplights or as a partition wall all designed to prevent the spread of smoke and fire. In the event of a fire, a low flammability double rebate gasket guarantees a secure closure.



Fire rating available: EI60, EI90

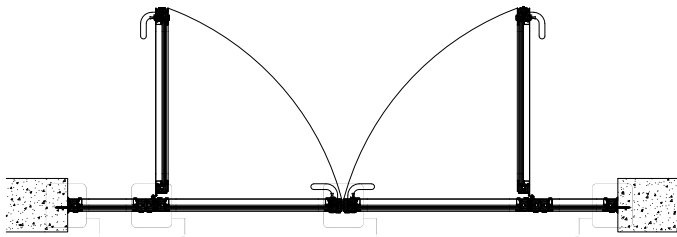


Front Elevation

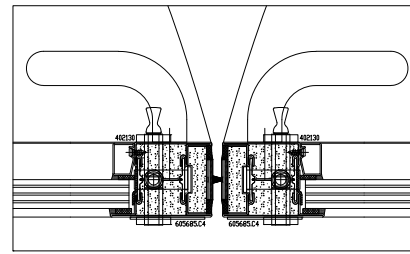


Door Section

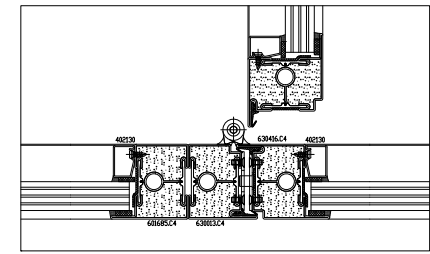
Screen Section



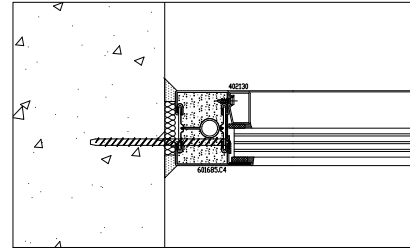
Plan



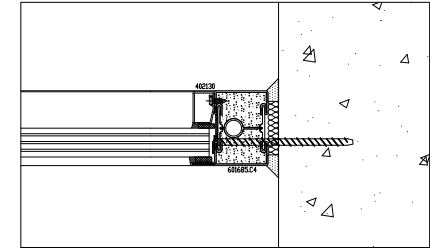
Detail A



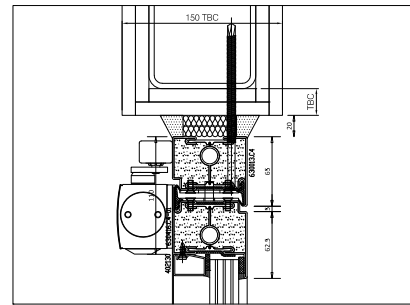
Detail B



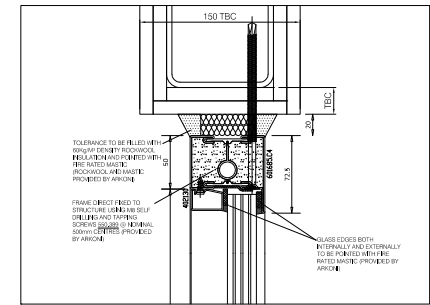
Detail C



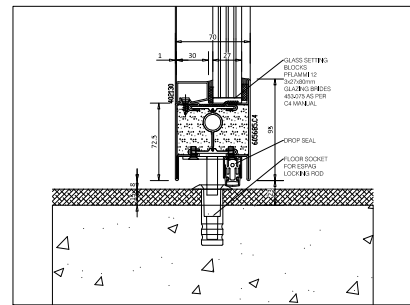
Detail D



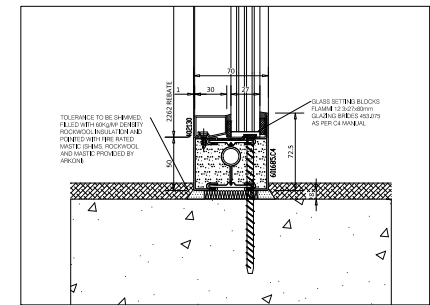
Detail E



Detail F



Detail G



Detail H

Fire Rated - Jansen Janisol C4 EI60 System

© COPYRIGHT & DESIGN 2022 PROPERTY OF ALLIED IRELAND LIMITED



Allied Ireland
Unit 24
Tolka Valley Business Park
Ballyboggan Road
Dublin 11
D11Y6XY

WEB: allied.ie
EMAIL: info@allied.ie
TEL: +35318532222
FAX: +35318503013

Rev	DESCRIPTION	DATE	BY

CLIENT		DATE	12/9/22	TITLE	Fire Rated - Jansen Janisol C4 EI60 System
ARCHITECT	-	DRAWN	LCAD		
SYSTEM:	Jansen Janisol C4 EI60	CHKD		DRAWING No	
FINISH	-	SCALE	1/30 @ A3 1/5 Detail		
				104087/001	Rev -

Schüco Jansen

JANISOL 2

The thermally broken Janisol 2 profile system enables the efficient and reliable fabrication of single and double-leaf doors, fire-resistant glazing and doors in glass walls. The basic depth for door frames and door leaves is just 60 mm. Profiles with face widths of 25, 50 and 85 mm can be used for mullions and transoms.

A comprehensive range of fully tested fittings, locks, accessories and integrated door closers are available and can be integrated very easily into the hollow profile section. The appearance is coordinated to match that of all the other Jansen door systems.

Janisol 2 doors have also been tested as burglar-resistant doors in accordance with EN 1627, classified in resistance class RC3 and are approved as smoke doors in accordance with DIN 18095 and EN 1634-3.

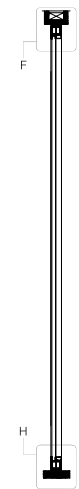
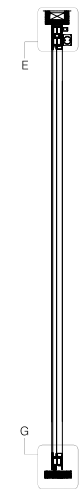
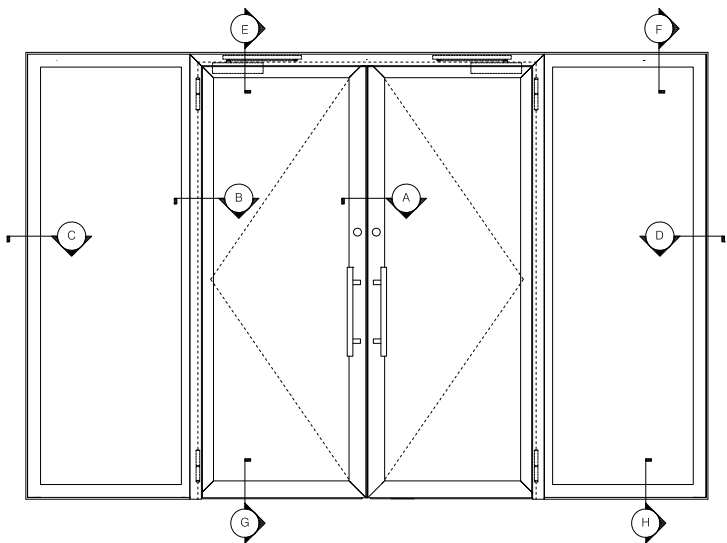
The many successfully tested system variations allow particularly cost efficient, attractive and complex project solutions in line with objectives.



Fire ratings available: EI30

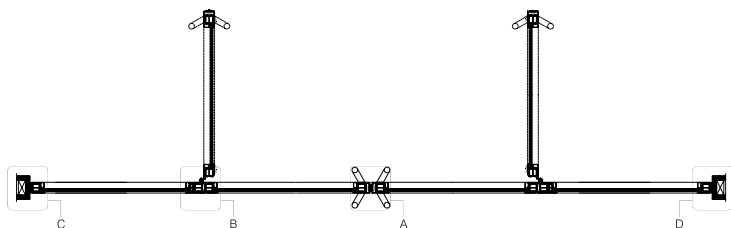


© COPYRIGHT & DESIGN 2022 PROPERTY OF ALLIED IRELAND LIMITED

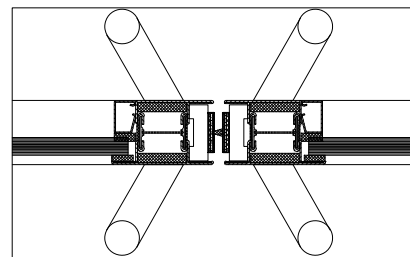


Door Section

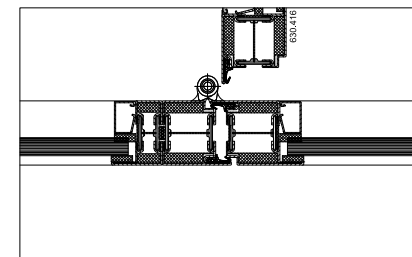
Screen Section



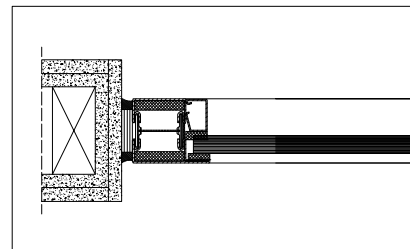
Plan



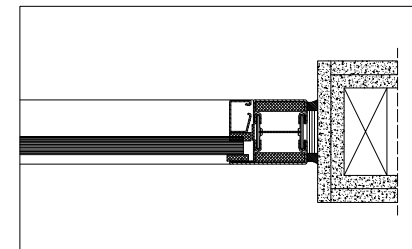
Detail A



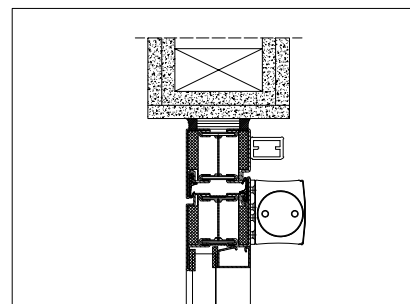
Detail B



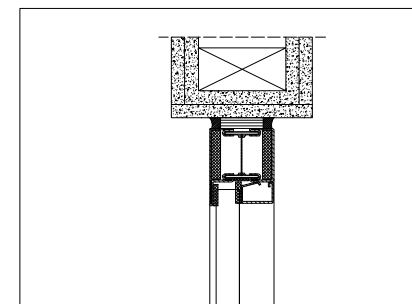
Detail C



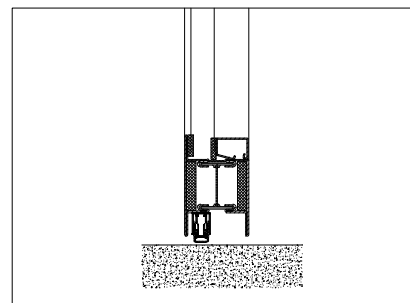
Detail D



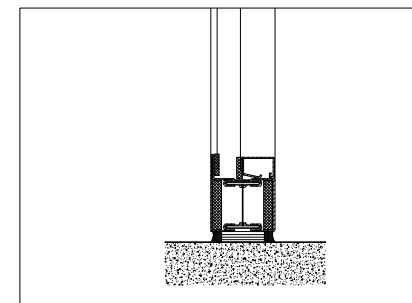
Detail E



Detail F



Detail G



Detail H



Allied Ireland
Unit 24
Tolke Valley Business Park
Ballyboggan Road
Dublin 11
D12Y8KY

WEB: allied.ie
EMAIL: info@allied.ie
TEL: +35318532222
FAX: +35318503013

Rev	DESCRIPTION	DATE	BY

CLIENT		DATE	12/9/22
ARCHITECT	-	DRAWN	LCAD
SYSTEM:	Janisol 2 EI30	CHKD	
FINISH	-	SCALE	1/30 @ A3 1/5 Detail

TITLE	Fire Rated - Janisol 2 EI30 System	
DRAWING No	104087/004	Rev
		-

Fire Rated - Janisol 2 EI30 System

CASE STUDIES



CASE STUDY

LinkedIn Headquarters, Wilton Park

A landmark site along the Grand Canal LinkedIn's EMEA headquarters developed by IPUT and designed by Henry J Lyons Architects.

"Centred around a one-acre restored park, this landmark development is an opportunity to set new standards for place-making in Dublin," Niall Gaffney, chief executive of IPUT

Allied supplied and installed E30 and EI60 fire rated screens and doors in the lift lobby areas, including fire fighting lobbies on every floor as well as various thoroughfares throughout the 7 floors of the buildings.

The integrated pivot doors operate with electromagnetic hold open floor springs that automatically release in case of fire. At the request of the client Allied designed overhead frame mounted door stops to negate a potential trip hazard. Concealed electronic solenoid locking was built into the headtrack. Full height through glass pull handles were used on all doors.



Fire rating: E30, EI60



CASE STUDY

AIB Corporate Headquarters

Designed to reflect its prestigious environment and the rich heritage of the surrounding area, this prominent building is located on the corner of Molesworth Street and South Frederick Street and comprises of 115,000 sq. ft of modern Grade A office space set over seven floors with generous roof terraces and private gardens.

Pyrostyle Fire rated doors are installed in all lift lobby areas across all 7 floors. The EI60S Doors + Screens are rated for Integrity and Insulation with a continuous smoke seal and are certified to BS EN 1634-1:2000. The doors are glazed with 25mm Pyroguard Glass, 54 kg per square metre. The system boasts integrated floor springs, electronic locking built into the door frame and full height frame mounted door handles



Fire rating: EI60



CASE STUDY

Quayside Quarter at Dublin Landings, Northwall Quay

The Quayside Quarter Apartments at Dublin Landings is one of Dublin's most exclusive new living developments. The beautifully curated resident's lounge features private meeting rooms and flexible working spaces.

Allied worked closely with RKD and Gem Group to achieve the desired look and feel for this exceptional space while conforming to the highest fire safety standards.

Allied designed and installed Crittall Style E60 (60 Minute Integrity) and E30 (30 Minute Integrity) fire rated screens and doors. Standing at an impressive 3 meters tall they set the scene in the foyer and entrance to the visitor's lounge.



Fire rating: E30 + E60

CASE STUDY

RCSI, York Street

Allied was awarded the contract to design and install an EI120 (integrity insulation) SchücoViss fire rated feature screen to the main stair-core looking out over the central atrium for the the new academic educational building (NAEB) for the Royal College of Surgeons Ireland.

Allied engineered a solution to meet the exacting requirements for the 22.5 meter multi story firescreen reaching from the lower ground floor up to the glass roof allowing natural light into the core of the building.

Each of the larger panels of the 62mm thick Contraflam EI120 glass weighed 287 kg and were mechanically lifted into place. The screen was built on a concrete dwarf wall from the lower ground floor to roof glazing and was secured back to each floor level via a specialist bracket system. Cross section structural steel beams were installed to give extra support at higher levels. The perimeter of the screen was finished off with steel PPC angle trims and fire stopping to match the finish of the main screen.



Fire rating: EI120

CASE STUDY

UCD Health Sciences Complex, Belfield Campus

This 16,000M2 building is designed to support interdisciplinary education, research and social interaction whilst preserving a degree of identity for each discipline. Medicine, Nursing, Radiography and Physiotherapy groups are arranged in three wings around the central modern Health Sciences library.

Allied provided effective solutions to meet the requirements of over 100 firescreens installed on this project. Various fire rating requirements were specified for corridor and classroom areas, ranging from E30 to EI60. Firescreens were also incorporated as atrium barriers and had to cater for the increased load requirements for an education building

The framework of all firescreens had to continue through the suspended ceilings and was connected to concrete soffits for structural stability, including flexible movement joints. This framework was then retrospectively fitted with fire rated plasterboard to maintain fire protection and to facilitate services.



Fire rating: E30 + EI60



CASE STUDY

Bank of Ireland Headquarters, Baggot Plaza

Bank of Ireland occupies a unique position in Irish banking history, founded in 1783.

The new headquarters comprises over 12,000m² of prime office accommodation in 18 zones (3 Blocks of 6 floors) to accommodate nearly 2,000 staff.

Mary Ricks, President and CEO of Kennedy Wilson Europe, commented: "We expect Baggot Plaza to set a benchmark for the redevelopment of office stock in Dublin".

Allied designed and installed fire rated doors and screens at various access points throughout all 6 floors and three blocks as well as in the atrium space overlooking the internal street at the core of the building. We also completed an extensive fit out of over 130 glazed office partitions and client meeting areas.



Fire rating: E30, EI60

CASE STUDY

Amazon EMEA Headquarters, Burlington Road

Burlington House, located within the heart of Dublin 4 area surrounded by the mature trees which overhang the street, Burlington Road. A beautiful area and state of the art HQ for Amazon who have taken tenancy of the whole building.

Allied provided fire rated doorsets and atrium glazing throughout all 6 floors on both atria, with a fire rating of E30.

Allied specialises in bespoke internal glazed atrium facades providing natural light to the cores of the building through internal structural fire rated frameless atria with a line load of 1.5kN capped with a glazed skylight, allowing natural light to penetrate deep into the building.



Fire rating: E30

CASE STUDY

Goethe Institut, Merrion Square

Dublin's Goethe Institut fully renovated campus on Merrion Square is open after a multimillion Euro renovation. The Goethe-Institut is the Federal Republic of Germany's cultural institute, active worldwide. The Goethe Institut promotes the study of German abroad and encourage international cultural exchange.

The Georgian townhouse facing onto Merrion Square has been beautifully and thoughtfully renovated.

Pyrostyle heritage doors were installed with a specialist bronze finish to match the character of this historic building. The system included full height handles, integrated solenoid locking and floor springs.



Fire rating: EI30

CASE STUDY

Google EMEA Headquarters, Boland's Mills

Google acquired the Boland's Mills site in 2018 expanding its EMEA Headquarters, further committing to its Irish presence and it's largest workforce outside of the US with over 8000 employees.

Allied installed fire rated screens and doors throughout the historic building, including fire rated atria, the main entrance at the foyer as well as access doors and screens across all floors.

The fire rated foyer entrance is an impressive 3500mm tall, with special consideration given during installation due to the historic nature of the building.



Fire rating: E30 + EI60



For CPDs, Specifications & Technical Information,
please contact us at:

firescreens@allied.ie
+353 1 8532222

allied.ie