

# The Arc.

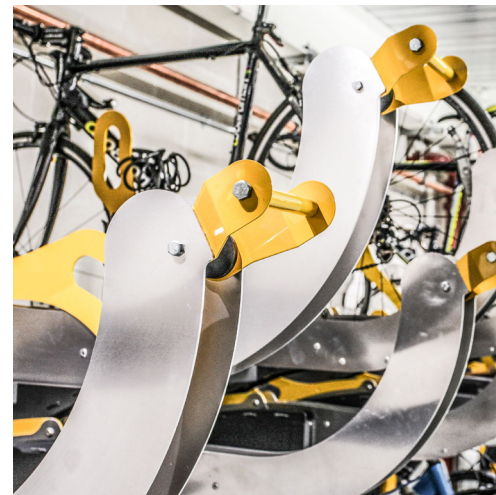


Spec Sheet



# High density storage that protects your bike and your back.

**allied.ie**  
**ERA** ISO 9001:2015  
ISO 14001:2015  
OHSAS 18001:2007



**Five  
At  
Heart**

# Single Sided Staggered.



## Material

Mild steel base with powder coated black hammertone finish

Mill finish aluminium carriage

Lock Bars, handle and lower wheel catcher standard powder coat colour yellow (custom colours available, minimum order 20)

## Specification

### (X) Aisle

AUS Standard (2890.3) 2000mm (6' 7")

Manufacturer 2000mm (6' 7")

Minimum Requirement

### (Y) Centre Spacing

AUS Standard (2890.3) 400mm (1' 3 3/4")

Manufacturer 400mm (1' 3 3/4")

Minimum Requirement

San Francisco (CA) Standard 430mm (1'5")

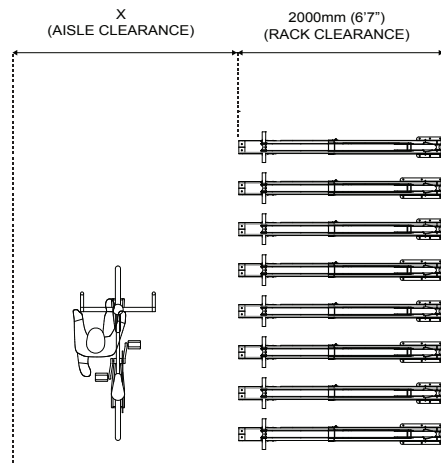
### (Z) Ceiling Height Minimum

AUS Standard (2890.3) 2700mm (8'10")

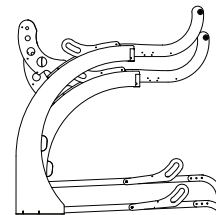
Manufacturer 2600mm (8'6")

Minimum Requirement

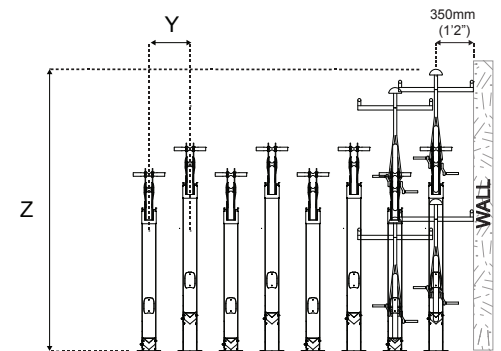
TOP VIEW



SIDE VIEW



FRONT VIEW



# Single Sided Non-Staggered.



## Material

Mild steel base with powder coated black hammertone finish

Mill finish aluminium carriage

Lock Bars, handle and lower wheel catcher standard powder coat colour yellow (custom colours available, minimum order 20)

## Specification

### (X) Aisle

AUS Standard (2890.3)	2000mm (6'7")
Manufacturer Minimum Requirement	2000mm (6'7")

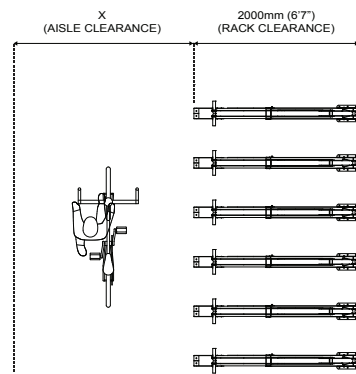
### (Z) Ceiling Height Minimum

Manufacturer Minimum Requirement	2400 (7'11")
----------------------------------	--------------

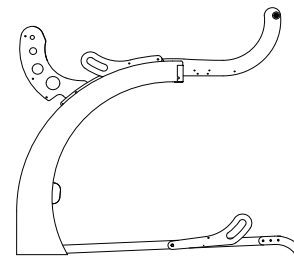
### (Y) Centre Spacing

AUS Standard (2890.3)	700mm (2'4")
Manufacturer Minimum Requirement	600mm (2')

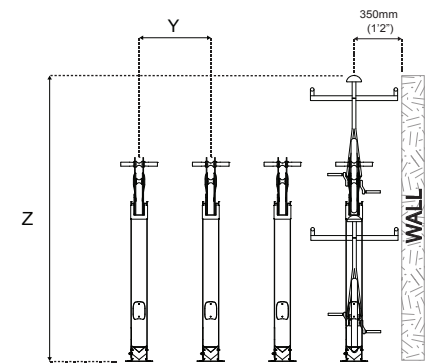
TOP VIEW



SIDE VIEW



FRONT VIEW



# Double Sided Staggered



## Material

Mild steel base with powder coated black hammertone finish

Mill finish aluminium carriage

Lock Bars, handle and lower wheel catcher standard powder coat colour yellow (custom colours available, minimum order 20)

## Specification

### (X) Aisle

AUS Standard (2890.3) 2000mm (6' 7")

Manufacturer 2000mm (6' 7")

Minimum Requirement

### (Y) Centre Spacing

AUS Standard (2890.3) 400mm (1' 3 3/4")

Manufacturer 400mm (1' 3 3/4")

Minimum Requirement

San Francisco (CA) Standard 430mm (1'5")

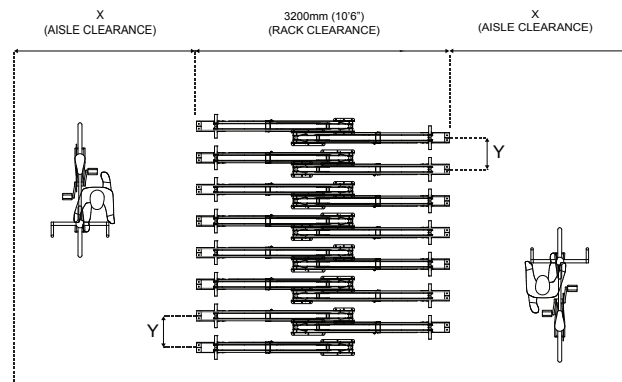
### (Z) Ceiling Height Minimum

AUS Standard (2890.3) 2700mm (8'10")

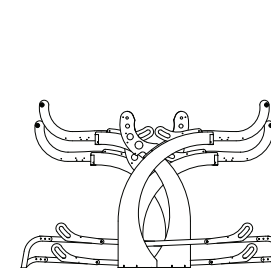
Manufacturer 2600mm (8'6")

Minimum Requirement

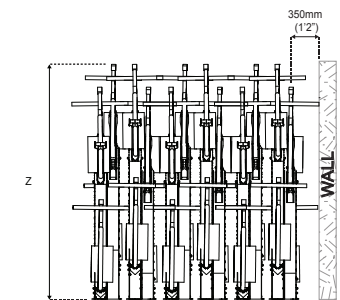
## TOP VIEW



## SIDE VIEW



## FRONT VIEW



# Arc Warranty and Technical Data

## Warranty Information

Five At Heart's Arc comes with a standard 5 year warranty, effective from the handover date.

For the warranty period, we warrant that the equipment (and any materials) we supply will comply with the relevant standards at the date of installation.

This warranty is limited and may be excluded in part or in full in light of user damage or failure to install to Five At Heart specification.

We recommend a monthly visual inspection for signs of damage or need for cleaning.

Contact Five At Heart in the event of product damage.

## Disclaimer

Images may differ from actual product and specifications may change without prior notice. Five At Heart is not liable for the structural integrity of the substrate and any queries should be directed through the project engineer.

Product is manufactured to metric dimensions.

## Fixing options / and detail

**Fig 1** M10/50mm (1 15/16") zinc plated sleeve anchor

## Product Weight

Low – 46kg  
High – 53kg

## Substrate Requirements

- Concrete – 100mm (3 15/16") thick and in good condition

## Maintenance Requirements

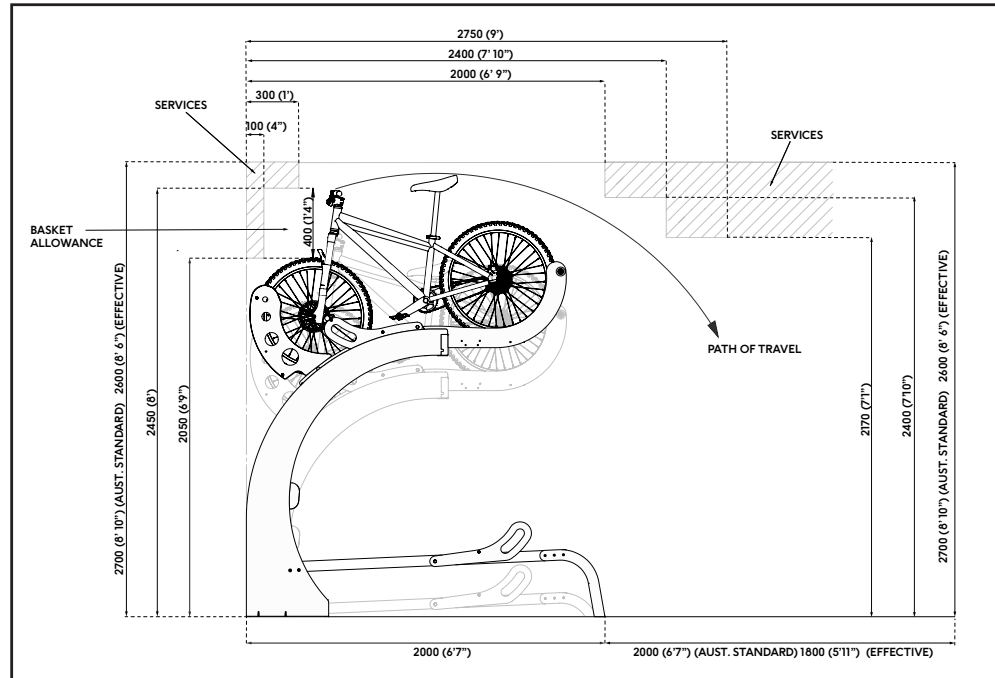
Slide unit bearings are sealed and do not require on going maintenance.

If any moving parts appear to be malfunctioning, discontinue use and contact Five At Heart.

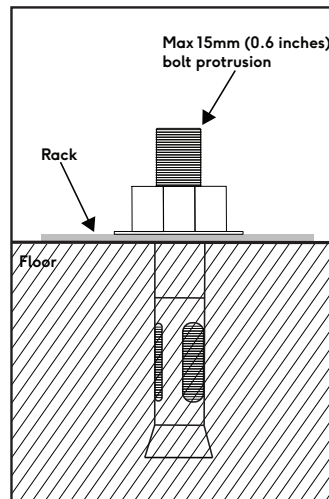
## Cleaning

Cleaning should start at the time the products are installed, ensuring that construction materials such as concrete, plaster and paint splashes are removed before they have a chance to dry. Failure to remove these materials will require aggressive cleaning in the future, that may be harmful to the products.

Wipe with a damp cloth for surface cleaning. Regular cleaning may be done with a solution of warm water and a non-abrasive, pH neutral detergent solution. Surfaces should be thoroughly rinsed after cleaning to remove all residues.



Arc clearance map – Path of Travel



**Fig 1** M10/50mm (3/8" x 3") galvanised sleeve anchor

**WARNING:** DO NOT UNDER ANY CIRCUMSTANCES USE STRONG SOLVENTS SUCH AS THINNERS OR SOLUTIONS CONTAINING CHLORINATED HYDROCARBONS, ESTERS OR KETONES. ABRASIVE CLEANERS OR CUTTING COMPOUNDS SHOULD NOT BE USED.

# Five At Heart



Creating  
spaces  
for however  
you Roll...

**allied**.ie  
**ERA** ISO 9001:2015  
ISO 14001:2015  
OHSAS 18001:2007

FIVE AT HEART

Allied Ireland | [www.allied.ie](http://www.allied.ie)

Contact Jane Delany - [janedelany@allied.ie](mailto:janedelany@allied.ie)

Direct: +353 (0)86 811 6052

