

The Cradle.



allied.ie

ERA ISO 9001:2015
ISO 14001:2015
OHSAS 18001:2007

Five
At
Heart

Spec Sheet

No more struggling to lift your bike onto a hook... easy on both you and your bike.

allied.ie
ERA ISO 9001:2015
ISO 14001:2015
OHSAS 18001:2007



**Five
At
Heart**

Wall Mounted.



Material

Mild Steel

Five At Heart colours available at no extra charge for quantities over 20

Specification

(X) Centre Spacing

AUS Standard (2890.3) 500mm (1'8")

Manufacturer Recommended 400mm (1'4")

Portland (OR) Standard 600mm (2') or 450mm (1'6") with approval

San Francisco (CA) Standard 400mm (1'4")

***Note – Single Level Option (No Stagger) requires minimum ceiling of 2000mm (6'7")**

AUS Standard (2890.3) 700mm (2'4")

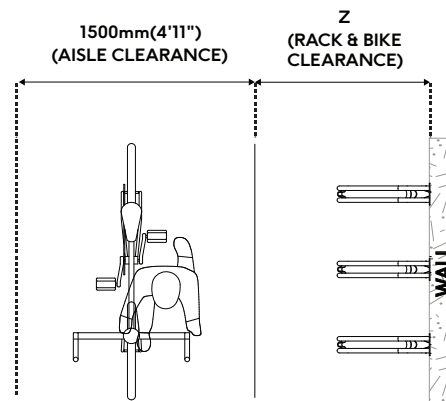
Manufacturer Recommended 600mm (2')

(Z) Bike & Rack

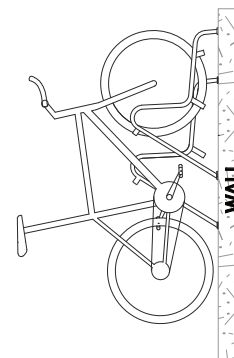
AUS Standard (2890.3) 1200mm (3'11")

Manufacturer Recommended 1100mm (3'7")

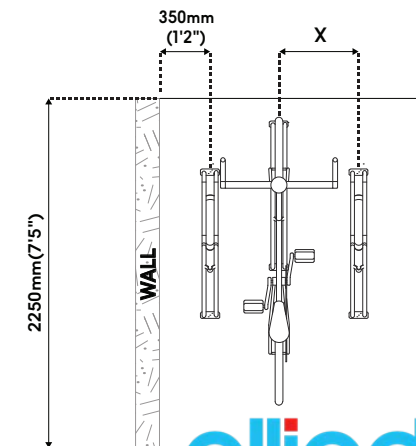
TOP VIEW



SIDE VIEW



FRONT VIEW



allied.ie

ERA ISO 9001:2015
ISO 14001:2015
OHSAS 18001:2007

Silver Bullet Frame.



Material

Mild Steel

Powder coat finish (Five At Heart Blue)

Custom colours available for quantities over 20 (fees apply)

Floor Substrate

100mm Concrete (3 15/16") thick and in good condition

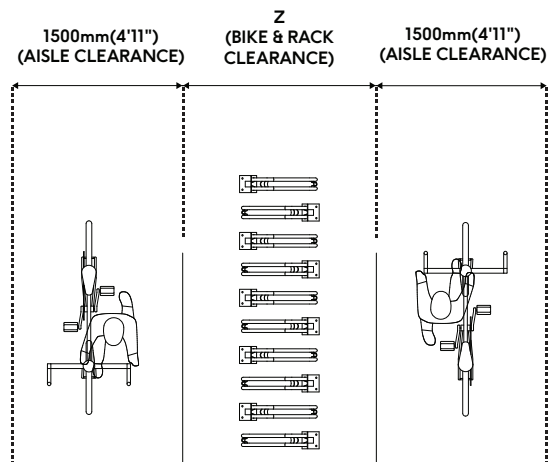
Specification

(Z) Bike & Rack

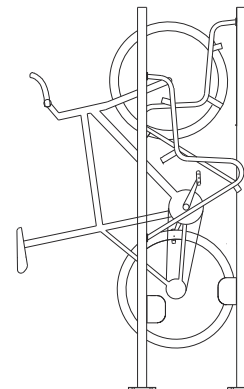
AUS Standard (2890.3) 1900mm (6'3")

Manufacturer Recommended 1700mm (5'7")

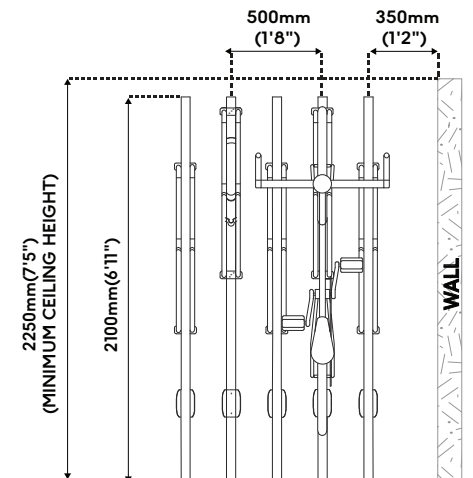
TOP VIEW



SIDE VIEW



FRONT VIEW



Cradle Warranty and Technical Data

Warranty Information

Five At Heart's Cradle comes with a standard 5 year warranty, effective from the handover date.

For the warranty period, we warrant that the equipment (and any materials) we supply will comply with the relevant standards at the date of installation.

This warranty is limited and may be excluded in part or in full in light of user damage or failure to install to Five At Heart specification.

We recommend a monthly visual inspection for signs of damage or need for cleaning.

Contact Five At Heart in the event of product damage.

Disclaimer

Images may differ from actual product and specifications may change without prior notice. Five At Heart is not liable for the structural integrity of the substrate and any queries should be directed to the project engineer.

Product is manufactured to metric dimensions.

Cradle fixing options / and details

- Fig 1** Into Concrete Wall – M10/50mm (1 15/16") zinc plated sleeve anchor (1 per mounting plate)
- Fig 2** Into Masonry Block work – Bugle screw and ram plug (2 per mounting plate)
- Fig 3** Into Timber Nogging – Bugle screw (2 per mounting plate)
- Fig 4** Into Steel Framing – 22mm (7/8") 14 gauge metal tek screw (2 per mounting plate)

Product Weight

4kg

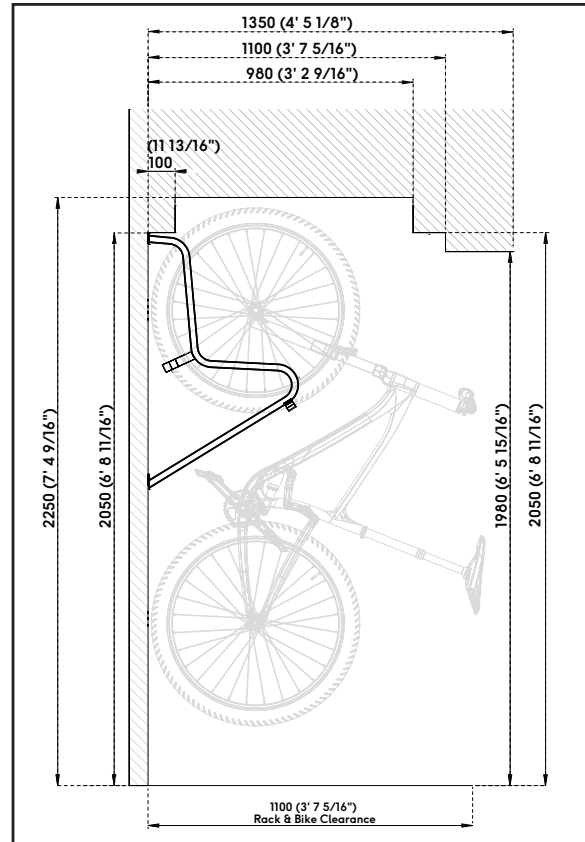
Cradle substrate Requirements

- Concrete – 100mm (3 15/16") thick and in good condition
- Core filled cinder block
- Timber nogging
- Steel framing
- Timber floor - Mounting into a timber floor requires solid 70mm (2 3/4") timber for anything with an 150mm (5 7/8") base.

(any other surface must be approved by Five At Heart design team)

Frame fixing options / and details

- Fig 5** Silver Bullet Frame into concrete - M10/50mm (1 15/16") zinc plated sleeve anchor



Cradle Clearance Map - Path Of Travel

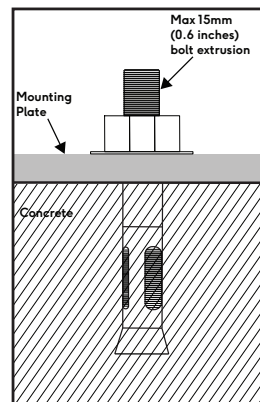


Fig 5/ Silver Bullet Fixing

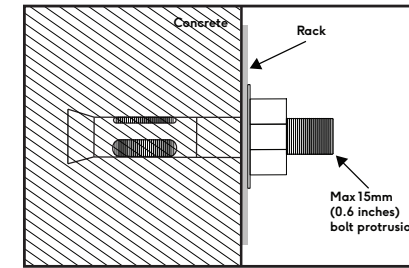


Fig 1/ Concrete Wall

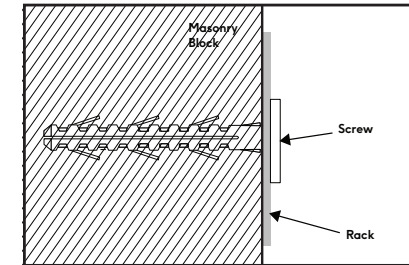


Fig 2/ Masonry Block

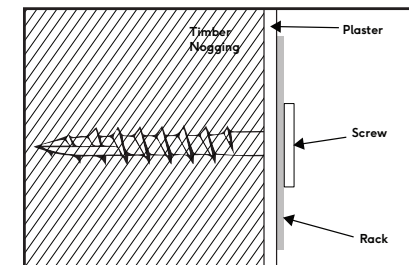


Fig 3/ Timber Nogging

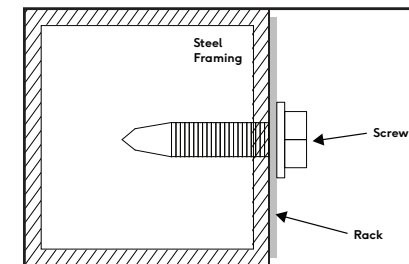


Fig 4/ Steel Framing

Cradle Warranty and Technical Data

Frame substrate requirements

- Concrete for Silver Bullet –100mm (3 15/16") thick and in good condition.

Maintenance Requirements

If any moving parts appear to be malfunctioning, discontinue use and contact Five At Heart.

Cleaning

Cleaning should start at the time the products are installed, ensuring that construction materials such as concrete, plaster and paint splashes are removed before they have a chance to dry. Failure to remove these materials will require aggressive cleaning in the future, that may be harmful to the products. Wipe with a damp cloth for surface cleaning. Regular cleaning may be done with a solution of warm water and a non-abrasive, pH neutral detergent solution. Surfaces should be thoroughly rinsed after cleaning to remove all residues.

WARNING: DO NOT UNDER ANY CIRCUMSTANCES USE STRONG SOLVENTS SUCH AS THINNERS OR SOLUTIONS CONTAINING CHLORINATED HYDROCARBONS, ESTERS OR KETONES. ABRASIVE CLEANERS OR CUTTING COMPOUNDS SHOULD NOT BE USED.

Horizontal Member Chart

- I - 150mm (6") FROM TOP OF FENCE
- H - 150mm (6") FROM TOP OF FENCE UNLESS 'I' IS USED. IF SO, MOUNT 'H' AT THE CENTRE POINT OF 'G' & 'I'

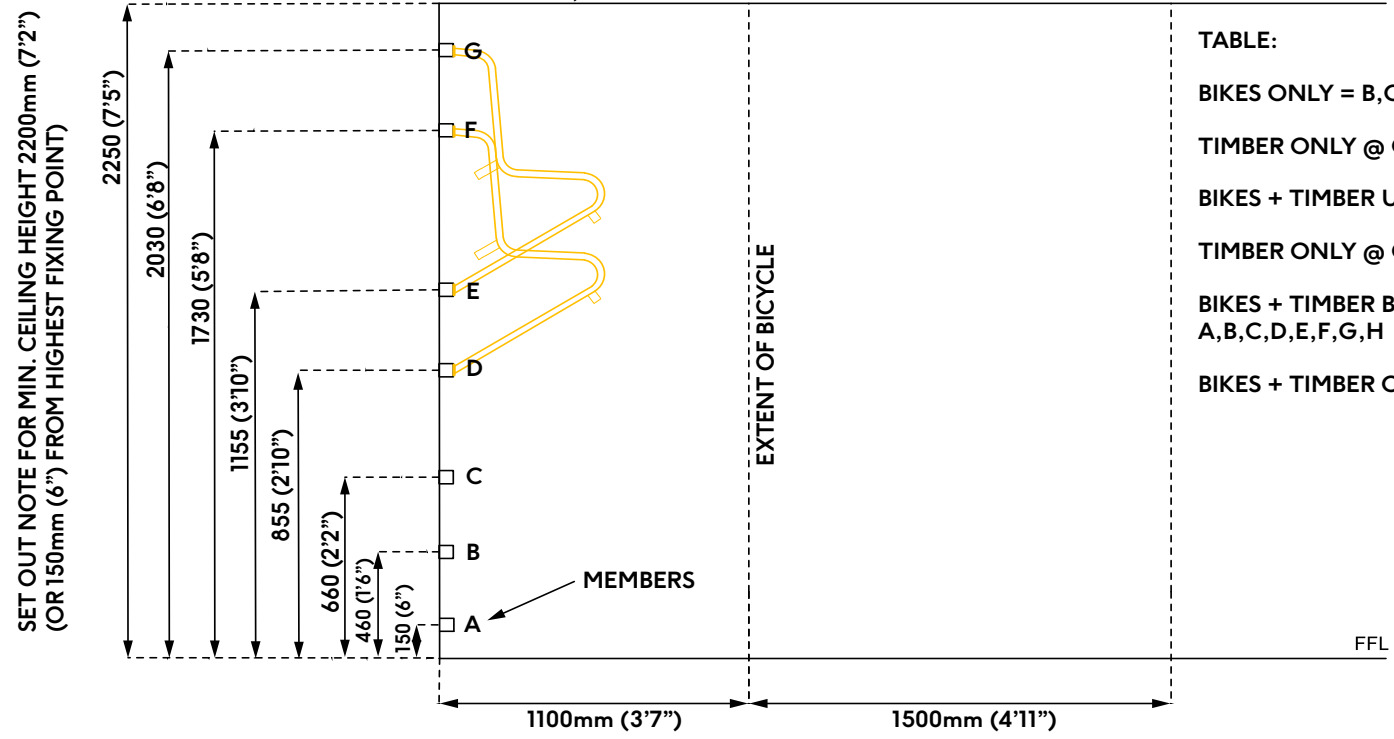


TABLE:

- BIKES ONLY = B,C,D,E,F,G
- TIMBER ONLY @ OR UNDER 2300mm (7'7") = A,D,G
- BIKES + TIMBER UP TO 2300mm (7'7") = A,B,C,D,E,F,G
- TIMBER ONLY @ OR ABOVE 2300mm (7'7") = A,D,G,I
- BIKES + TIMBER BETWEEN 2300mm (7'7") - 3200mm (10'6") = A,B,C,D,E,F,G,H
- BIKES + TIMBER OVER 3200mm (10'6") = A,B,C,D,E,F,G,H,I

Mounting Heights

Five At Heart



fiveatheart.com

Allied Ireland | www.allied.ie

Contact Jane Delany - janedelany@allied.ie

Direct: +353 (0)86 811 6052

Creating
spaces
for however
you Roll...

allied.ie

ERA ISO 9001:2015
ISO 14001:2015
OHSAS 18001:2007

