

Accessible Locker.



Locally
Made

allied.ie
ERA ISO 9001:2015
ISO 14001:2015
OHSAS 18001:2007

Spec Sheet

Five
At
Heart

Easy to use for everyone.



**Five
At
Heart**

Accessible Locker.



Accessible Locker

Five At Heart

Material

Laminated MDF door (AUS: E0 MR)
(with extensive colour range)

White particleboard carcass (AUS: E1 MR)

Moisture resistant base with black finish

Features

Sliding doors improve access to wheelchair users

DDA compliant dimensions for optimised usability

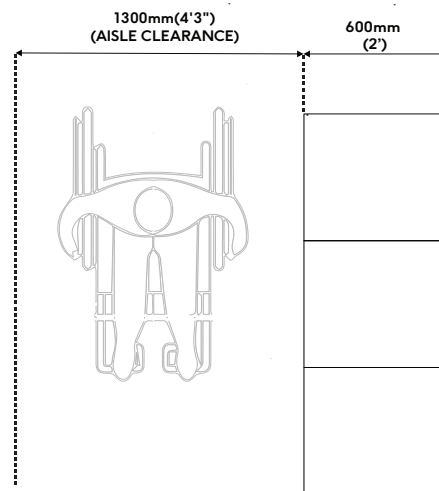
Having a key lock allows the keys to be administered specifically to wheelchair users

Additional locker spaces above

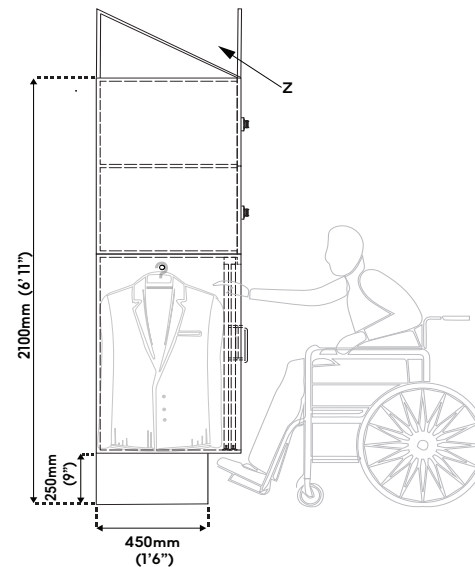
Specification

(Z) Bulk head or 30 degree slope top
(Optional)

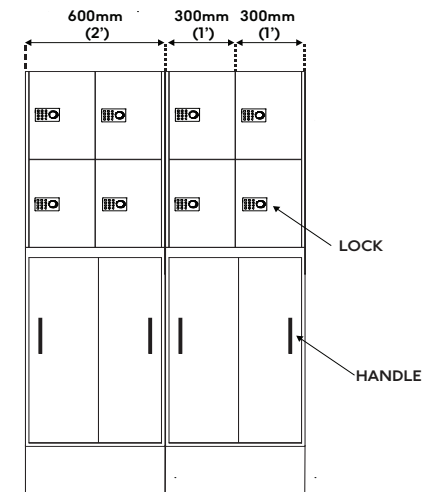
TOP VIEW



SIDE VIEW



FRONT VIEW



Accessible locker Warranty and Technical Data

Warranty Information

Five At Heart's Accessible Locker comes with a standard 7 year warranty, effective from the handover date.

For the warranty period, we warrant that the equipment (and any materials) we supply will comply with the relevant standards at the date of installation.

This warranty is limited and may be excluded in part or in full in light of user damage or failure to install to Five At Heart specification.

We recommend a monthly visual inspection for signs of damage or need for cleaning.

Contact Five At Heart in the event of product damage.

Disclaimer

Images may differ from actual product and specifications may change without prior notice.

AUS, UK, CAN: manufactured to metric dimensions.

USA: manufactured to imperial dimensions.

Installation Requirements

Lockers/auxiliary units require a minimum of 16mm (5/8") at the end of each nib wall for filler panels and 50mm (2") for corner fillers.

Maintenance Requirements

If any moving parts appear to be malfunctioning, discontinue use and contact Five At Heart.

Cleaning

For general care and maintenance, simply wipe away most spills or marks with a damp cloth, or wipe clean with non abrasive household cleaner.

Do not submerge product at any point.

Avoid scourers and abrasives as they will damage the surface.

Do not use waxes or polishing products as they dull the natural shine.

Five At Heart



fiveatheart.com

Allied Ireland | www.allied.ie

Contact Jane Delany - janedelany@allied.ie

Direct: +353 (0)86 811 6052

Creating
spaces
for however
you Roll...

allied.ie
EQA ISO 9001:2015
ISO 14001:2015
OHSAS 18001:2007

