

Iron Maiden.



Spec Sheet



Official Patent and Design Numbers (either pending or granted)
Australian patent no. 2019900523 | Great Britain design no. 6073090

The first Ironing Station specifically designed for the heavy duty needs of commercial change rooms. Left and right hand compatible with easy to replace consumable parts and built in towel storage.



**Five
At
Heart**

Iron Maiden.



Iron Maiden

Five At Heart

Material

Laminated MDF door (AUS: E0 MR)
(with extensive colour range)

White particleboard carcass (AUS: E1 MR)

Moisture resistant base with black finish

Steel ironing board

Specification

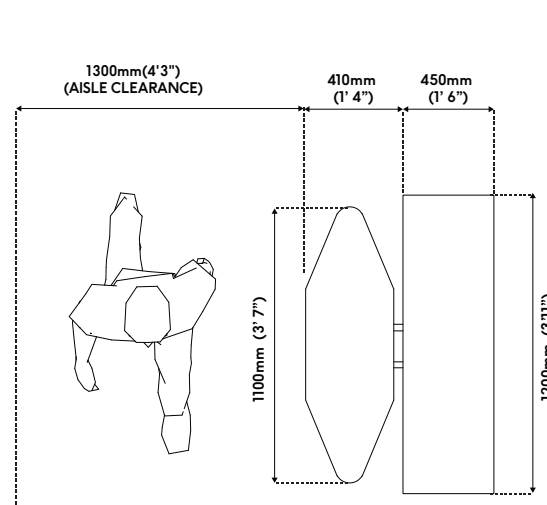
(Z) Bulk head or 30 degree slope top
(Optional)

Iron included

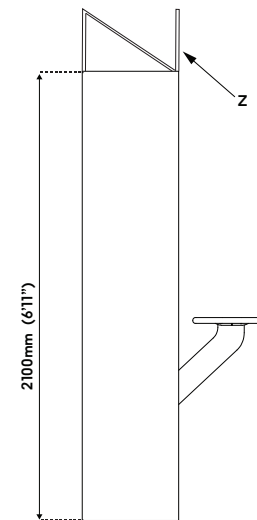
2 x Ironing board covers

Powerpoint and timer switch supplied
Electrician needs to install and wire onsite
(done by others)

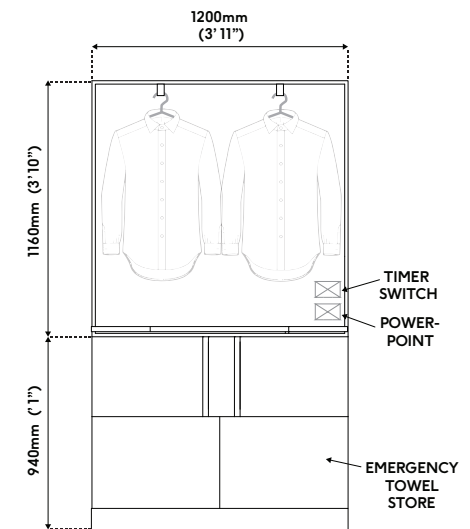
TOP VIEW



SIDE VIEW



FRONT VIEW



Iron Maiden. (Trim)



Material

Laminated MDF door (AUS: E0 MR)
(with extensive colour range)

White particleboard carcass (AUS: E1 MR)

Moisture resistant base with black finish

Steel ironing board

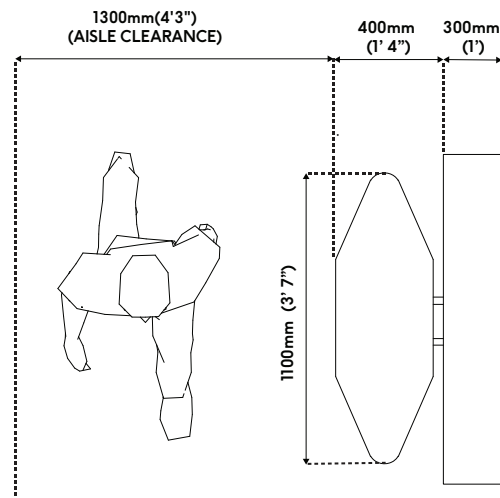
Specification

Iron included

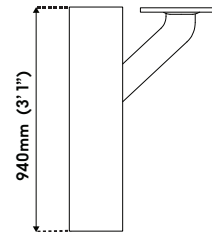
2 x Ironing board covers

Powerpoint and timer switch supplied
Electrician needs to install and wire onsite
(done by others)

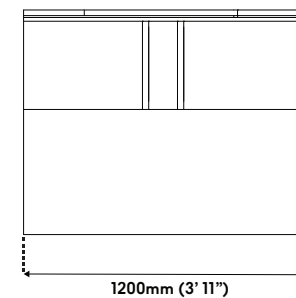
TOP VIEW



SIDE VIEW



FRONT VIEW



Iron Maiden Warranty and Technical Data

Warranty Information

Five At Heart's Iron Maiden comes with a standard 7 year warranty, effective from the hand over date.

For the warranty period, we warrant that the equipment (and any materials) we supply will comply with the relevant standards at the date of installation.

This warranty is limited and may be excluded in part or in full in light of user damage or failure to install to Five At Heart specification.

We recommend a monthly visual inspection for signs of damage or need for cleaning.

Contact Five At Heart in the event of product damage.

Iron subject to manufacturer warranty.

Disclaimer

Images may differ from actual product and specifications may change without prior notice. Five At Heart is not liable for the structural integrity of the substrate and any queries should be directed through the project engineer.

AUS, UK, CAN: manufactured to metric dimensions.

USA: manufactured to imperial dimensions.

Fixing options and details for Ironing board

Fig 1 M16/95mm (25/64" x 3 47/64") galvanised sleeve anchor

Substrate requirements

- Concrete – 160mm (6 19/64") thick and in good condition

Power Requirements

Standard AC power supply required for powerpoint and 10 minute timer switch. Cut outs in joinery and hardware supplied (Powerpoint and timer switch). An electrician will need to install and wire onsite (done by others)

Fig 2 shows the rough in detail for powerpoint and timer switch.

Installation Requirements

Lockers/auxiliary units require a minimum of 16mm (5/8") at the end of each nib wall for filler panels and 50mm (2") for corner fillers.

Base plate and fixing nuts must be sealed to the substrate using *Sikaflex Pro+* Polyurethane Sealant or equivalent.

Maintenance Requirements

If any moving parts appear to be malfunctioning, discontinue use and contact Five At Heart.

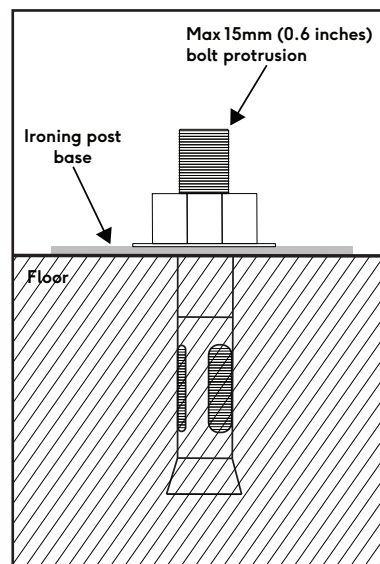


Fig 1 M16/95mm (25/64" x 3 47/64") galvanised sleeve anchor

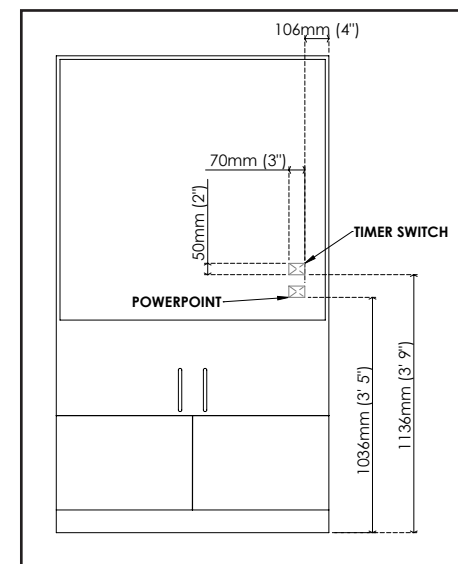


Fig 2 Electrical rough in details

Cleaning

For general care and maintenance, simply wipe away most spills or marks with a damp cloth, or wipe clean with non abrasive household cleaner.

Do not submerge product at any point.

Avoid scourers and abrasives as they will damage the surface.

Do not use waxes or polishing products as they dull the natural shine.

Contact Five At Heart for replacement ironing board covers.

Five At Heart



Creating
spaces
for however
you Roll...

allied.ie
ERA ISO 9001:2015
ISO 14001:2015
OHSAS 18001:2007

fiveatheart.com

Allied Ireland | www.allied.ie
Contact Jane Delany - janedelany@allied.ie
Direct: +353 (0)86 811 6052

