

Seymour.

Locally
Made



allied.ie
ERA ISO 9001:2015
ISO 14001:2015
OHSAS 18001:2007

Spec Sheet

Five
At
Heart

Garment steaming: quicker and more effective than ironing, a premium user experience.



**Five
At
Heart**

Seymour.



Seymour

Five At Heart

Material

Laminated MDF door (AUS: E0 MR)
(with extensive colour range)

White particleboard carcass (AUS: E1 MR)

Moisture resistant base with black finish

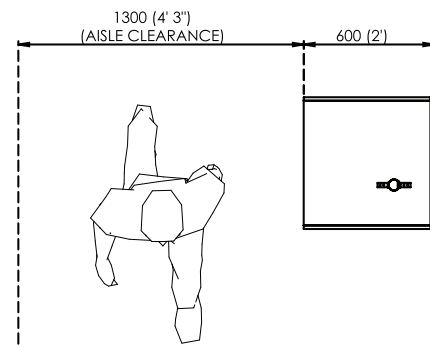
Specification

(Z) Bulk head or 30 degree slope top
(Optional)

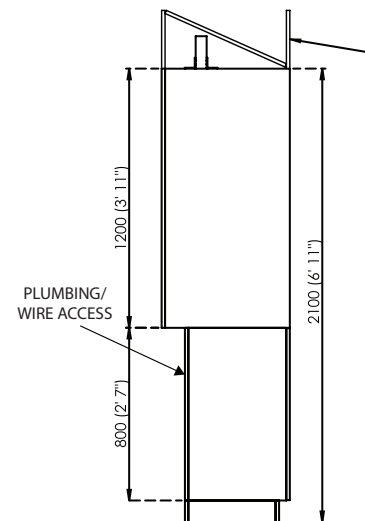
Self-filling and overflow detection system

* Installation and connection of
mechanical, electrical and plumbing
services are excluded from pricing for this
unit, and are to be done by others.

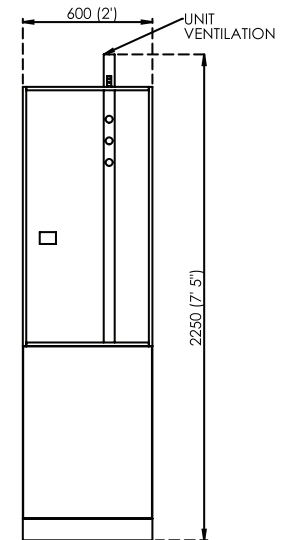
TOP VIEW



SIDE VIEW



FRONT VIEW



Seymour Warranty and Technical Data

Warranty Information

Five At Heart's Seymour comes with a standard 7 year warranty, effective from the handover date. Unit must be installed through a Five At Heart approved plumber.

Plumbing, mechanical and electrical services are NOT coordinated/installed by Five At Heart.

For the warranty period, we warrant that the equipment (and any materials) we supply will comply with the relevant standards at the date of installation. This warranty is limited and may be excluded in part or in full in light of user damage or failure to install to Five At Heart specification.

We recommend a monthly visual inspection for signs of damage or need for cleaning. Contact Five At Heart in the event of product damage.

Replacement steamer parts are available through Five At Heart.

Disclaimer

Images may differ from actual product and specifications may change without prior notice.

AUS, UK, CAN: manufactured to metric dimensions.

USA: manufactured to imperial dimensions.

Technical Data

Fig 1 Wiring diagram.

Fig 2 Seymour requires top of unit extraction. The extraction solution is carried out by others and varies from project to project, it is usually coordinated as part of the broader M&E plan.

Fig 3 shows the rough in for plumbing, powerpoint and timer switch

Power Requirements

1300W/230V power supply required, with 3 minute timer switch. Cut outs in the joinery and hardware (powerpoint, timer switch, steamer and overflow device) are supplied. But an electrician will need to install and wire onsite (done by others)

Water shutoff detector requires 4x AAA batteries. These should be replaced every 12 months.

Water Requirements

We only recommend a licensed plumber to install and/or replace the steamer device (done by others)

See **Fig 3** for rough in details for the plumbing/water access.

The steamer unit comes fitted with an overflow detection device that will shut off flow in the event of an overflow.

Hardware required to manually shutoff the main water supply for maintenance will need to be carried out by others. We don't provide any type of isolation switch (or other hardware) for the plumbing of the steamer.

Max Operating Pressure **1000 kPa**

Recommended Operating Pressure **300-500kPa**

No drainage points required for unit

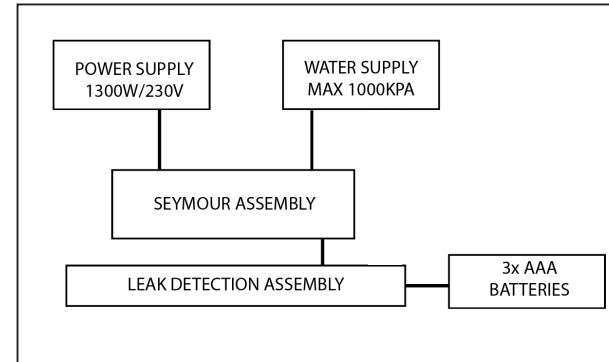


Fig 1 Wiring diagram - Plumbing, electrical and mechanical works not done by Five At Heart

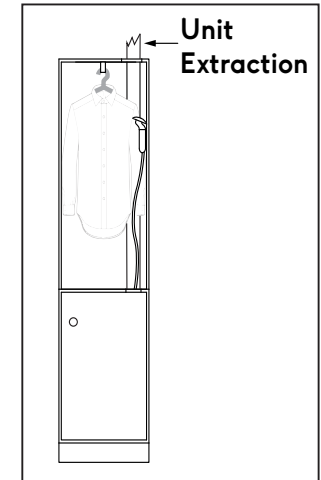


Fig 2 The Seymour requires top of unit extraction.

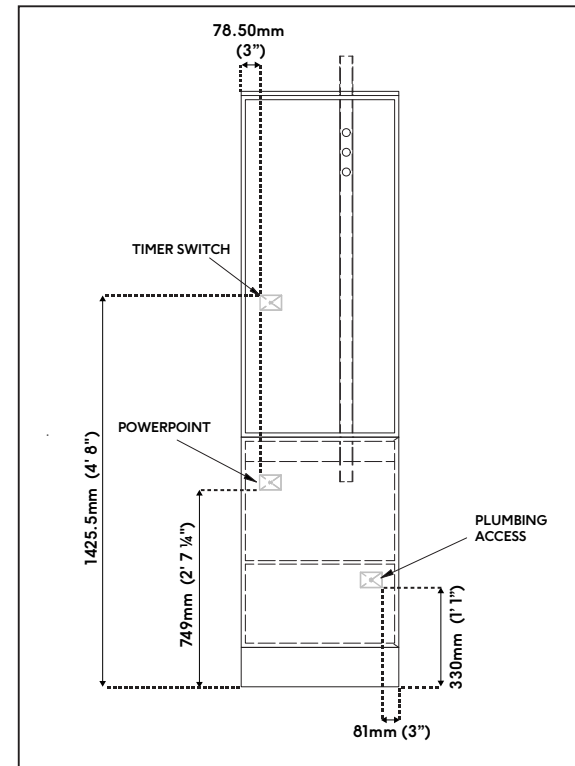


Fig 3 Plumbing and electrical rough in details

Seymour Warranty and Technical Data

Maintenance Requirements

If any moving parts appear to be malfunctioning, discontinue use and contact Five At Heart.

The water over flow sensor needs to be manually tripped and rearmed once every six months. The device should be tripped and all batteries should be replaced every twelve months.

Installation Requirements

Lockers/auxiliary units require a minimum of 16mm (5/8") at the end of each nib wall for filler panels and 50mm (2") for corner fillers.

Cleaning

For general care and maintenance, simply wipe away most spills or marks with a damp cloth, or wipe clean with non abrasive household cleaner.

Do not submerge product at any point.

Avoid scourers and abrasives as they will damage the surface.

Do not use waxes or polishing products as they dull the natural shine.

The device should be free of water, debris, swarf and contaminates in the lines that can obstruct the valve. A licensed plumber is only required to install and/or replace the device.

Five At Heart



fiveatheart.com

Allied Ireland | www.allied.ie
Contact Jane Delany - janedelany@allied.ie
Direct: +353 (0)86 811 6052

Creating
spaces
for however
you Roll...

allied.ie
ERA ISO 9001:2015
ISO 14001:2015
OHSAS 18001:2007

