

Double glazed Polar with full height DGP25 doorframe and veneered door



POLAR Double Glazed



Polar partitioning product comparison chart can be found on the inside back cover of this brochure



chic

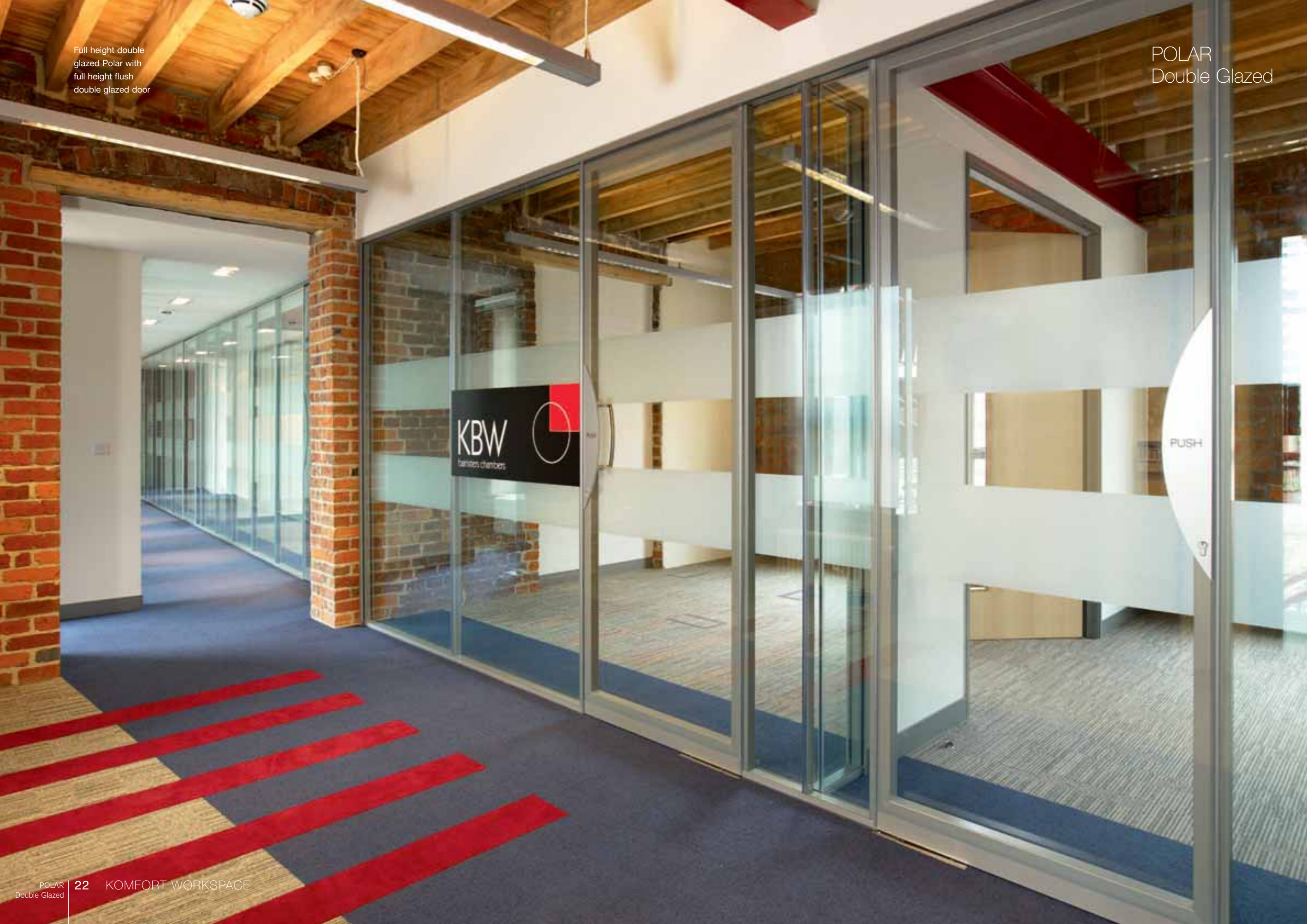
Full height double glazed Polar
incorporating single glazed doors
within full height Halo doorframes

POLAR
Double Glazed



Full height double glazed Polar with full height flush double glazed door

POLAR
Double Glazed



KBW
business chambers

PUSH

Full height double glazed Polar with integral blinds featuring standard height timber doors and rebated overpanel within full height Halo doorframes

POLAR
Double Glazed





Full height faceted double glazed Polar


POLAR Double Glazed

Polar double glazed is a frameless dry vertical jointed system with ghost post mullions


Technical spec at a glance


 **DIMENSIONS:**
Up to 3300mm high

 **FIRE RATINGS:**
N/A


 **ACOUSTICS:**
Up to 49dB (Rw)

 **STRUCTURE:**
Up to severe duty

 **DEFLECTION HEAD (+/-):**
YES

 **WEIGHT Per m² (kg):**
Up to 60.36

 **BLINDS:**
Yes - integral

 **MANIFESTATION:**
Yes

Detailed Polar Double Glazed drawings can be found on pages 30-31. In addition a partitioning product comparison chart can be found on the inside back cover of this brochure.

For further technical specifications and technical drawing downloads go to - www.komfort.com

Full height double glazed Polar incorporating full height DGP25 doorframe containing veneered door and rebated overpanel. To the left of the door is Polar Vision with Polar single glazed at the end of the run

The discreet mullions and framework of double glazed Polar combine contemporary aesthetics, elegance and durability. A tried and tested system that creates a stunning look in any working environment.

POLAR Double Glazed



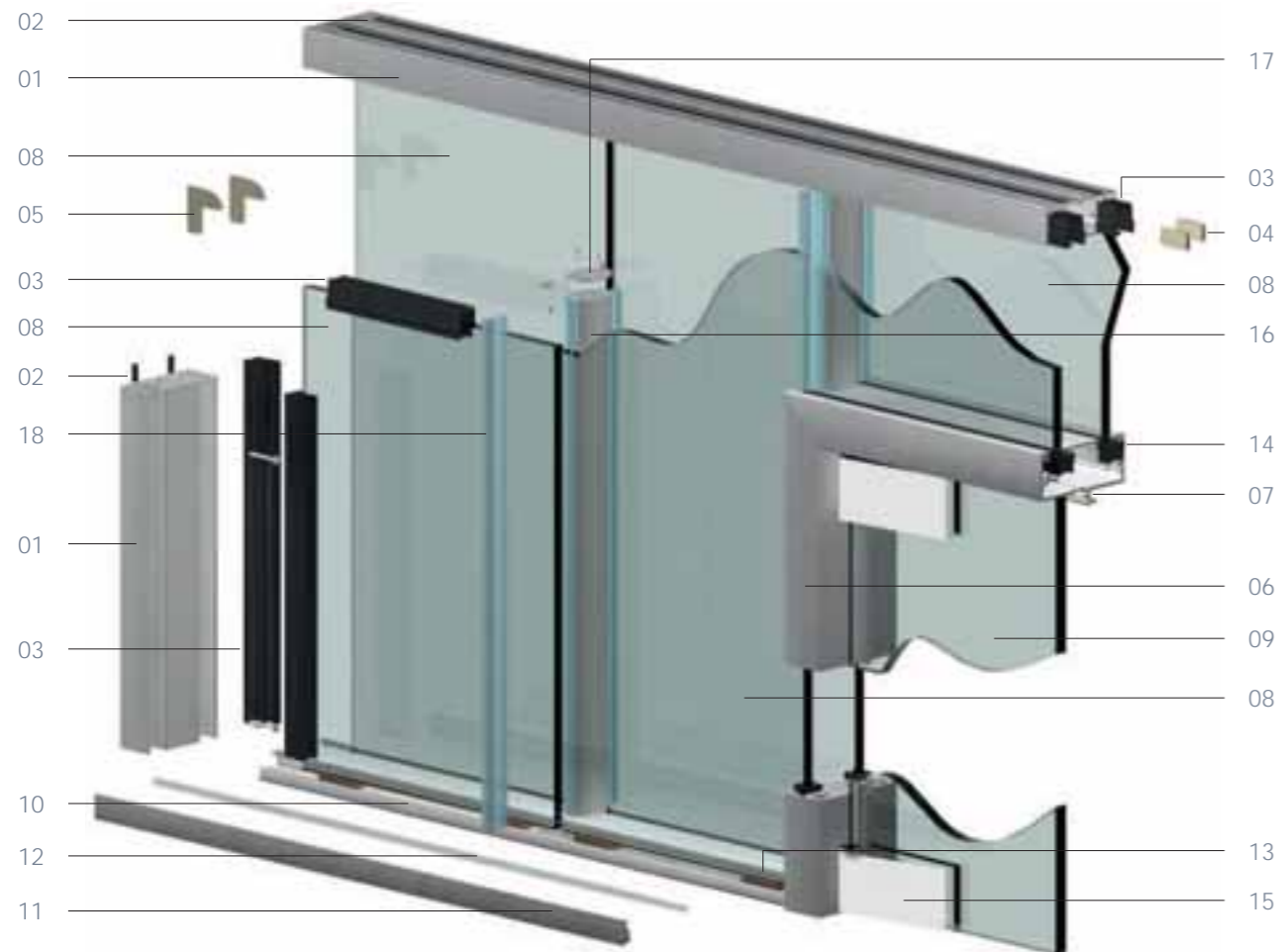
Full height double glazed Polar with bespoke manifestation



Full height double glazed Polar with standard height halo doorframe, double glazed overpanel and glass door

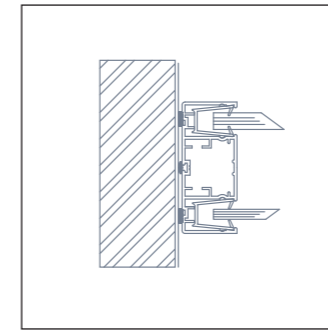


Full height double glazed Polar with banded manifestation

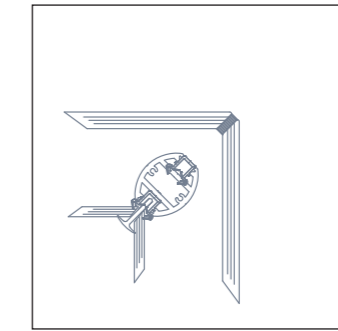


Polar Double Glazed - partitioning system

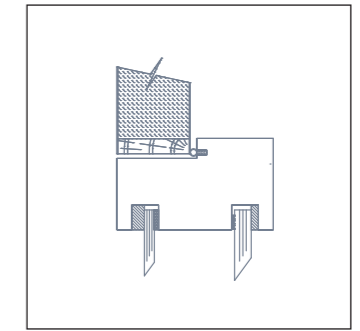
- | | | |
|-----------------------------------|---|------------------------------|
| 01 Head /abutment channel | 09 10mm /12mm toughened safety glass door | 16 Ghost post |
| 02 Abutment seal | 10 Base channel | 17 Ghost post securing plate |
| 03 PVCu glazing channel | 11 Base channel leg | 18 Glass securing nail |
| 04 Straight jointing cleat | 12 Glazing bead | |
| 05 90° jointing cleat | 13 Glass packer | |
| 06 Aluminium door frame | 14 Door frame glazing channel | |
| 07 Door frame seal | 15 Pivot patch fitting | |
| 08 10/12mm toughened safety glass | | |



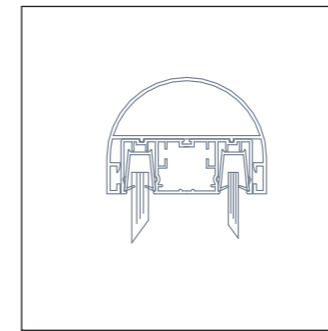
Glazed abutment



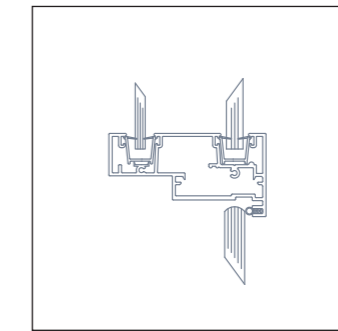
90° glazed junction



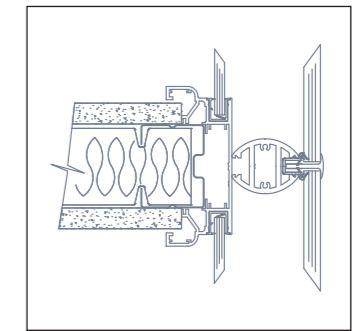
Glazed to timber door frame with timber door



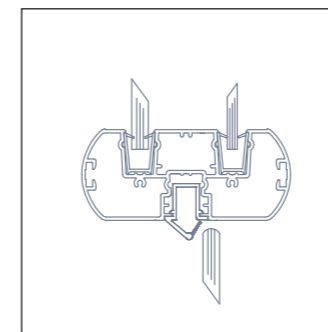
Glazed fair end



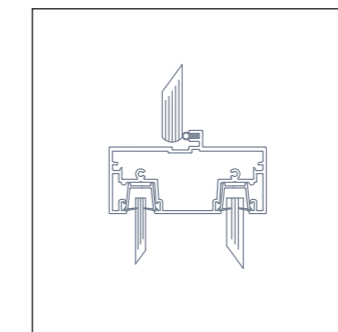
Glazed to aluminium door frame with flush door stop and glass door



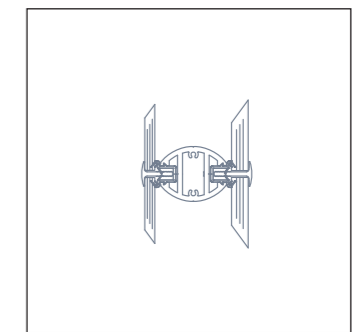
3 way glazed to solid to glazed junction



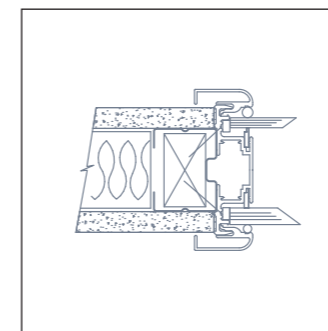
Glazed to halo aluminium door frame with glass door



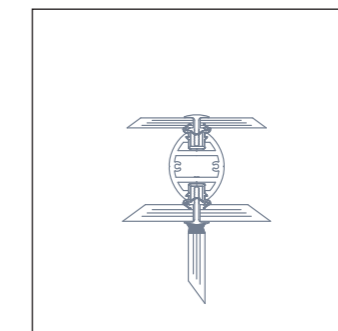
Glazed to aluminium door frame with central door stop and glass door



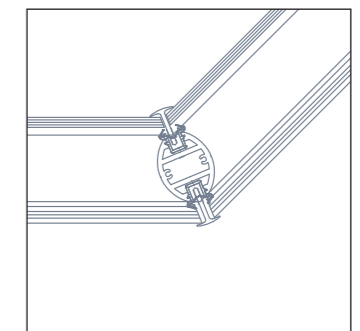
Glazed to glazed junction



Glazing to 75mm plasterboard partition system



3 way double glazed to single glazed



135° glazed junction

These drawings are for guidance only. For comprehensive information please contact our technical department